

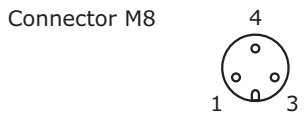
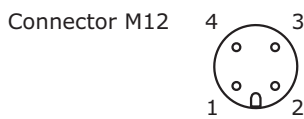
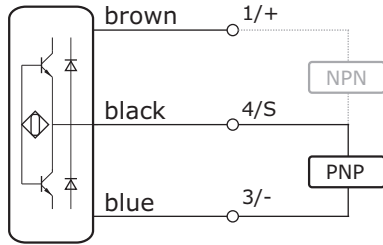
Ø6.5

Ø6.5

Ø6.5

Ø6.5

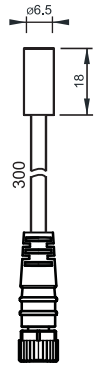
Output Schematics



2 mm



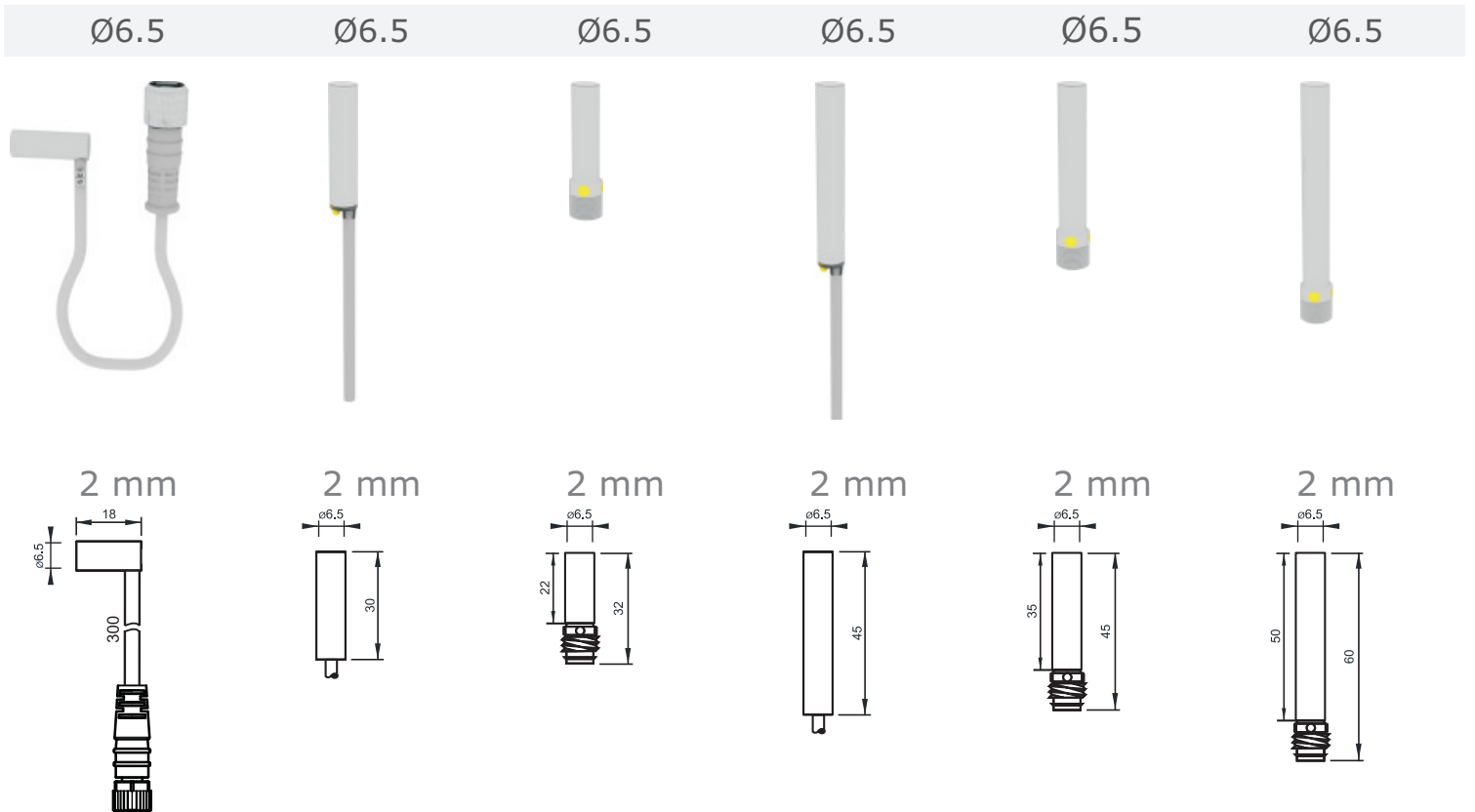
2 mm



SPECIFICATIONS

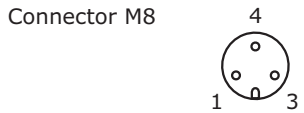
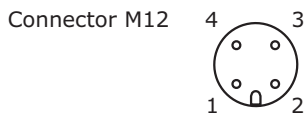
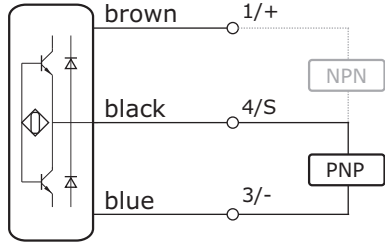
	Ø6.5 mm	Ø6.5 mm	Ø6.5 mm	Ø6.5 mm
Sensing Distance			2 mm - Shielded	2 mm - Shielded
Operating Voltage			10...30 VDC, 3-wire	10...30 VDC, 3-wire
Reverse Polarity Protection			built-in	built-in
Current Consumption			< 8 mA	< 8 mA
Current Load Capability			200 mA	200 mA
Short Circuit Protection			built-in - self resetting	built-in - self resetting
Voltage Drop			< 1.5 V @ 200 mA	< 1.5 V @ 200 mA
Switching Frequency			2000 Hz	2000 Hz
Repeatability			< 1 % (Sn)	< 1 % (Sn)
Hysteresis			3...15 %	3...15 %
Operating Temperature			-25...75 °C	-25...75 °C
Protection Class			IP67	IP67
Sensing Face Material			POM	POM
Housing Material			1.4305 / SS303	1.4305 / SS303
Connection			High-Flex PVC, 2m	Connector M8, 3-pole, 300 mm
Output Indicator			Integrated	Integrated
Article Code				
PNP - NO, 3-wire			IPSD6-S2PO18/A2P	IPSD6-S2PO18/3P8
PNP - NC, 3-wire			IPSD6-S2PC18/A2P	IPSD6-S2PC18/3P8
PNP - NO+NC, 4-wire				
NPN - NO, 3-wire			IPSD6-S2NO18/A2P	IPSD6-S2NO18/3P8
NPN - NC, 3-wire			IPSD6-S2NC18/A2P	IPSD6-S2NC18/3P8
NPN - NO+NC, 4-wire				
10...55 VDC - NO, 2-wire				
10...55 VDC - NC, 2-wire				
Recommended Connecting Cable			-	M8/3...

Inductive Proximity Switches



Ø6.5 mm	Ø6.5 mm	Ø6.5 mm	Ø6.5 mm	Ø6.5 mm	Ø6.5 mm
2 mm - Shielded	2 mm - Shielded	2 mm - Shielded	2 mm - Shielded	2 mm - Shielded	2 mm - Shielded
10...30 VDC, 3-wire built-in < 8 mA 200 mA built-in - self resetting < 1.5 V @ 200 mA 2000 Hz < 1 % (Sn) 3...15 % -25...75 °C IP67 POM 1.4305 / SS303 Connector M8, 3-pole, 300 mm Integrated	10...30 VDC, 3-wire built-in < 8 mA 200 mA built-in - self resetting < 1.5 V @ 200 mA 2000 Hz < 1 % (Sn) 3...15 % -25...75 °C IP67 POM 1.4305 / SS303 High-Flex PVC, 2m Integrated	10...30 VDC, 3-wire built-in < 8 mA 200 mA built-in - self resetting < 1.5 V @ 200 mA 2000 Hz < 1 % (Sn) 3...15 % -25...75 °C IP67 POM 1.4305 / SS303 Connector M8, 3-pole, 300 mm Integrated	10...30 VDC, 3-wire built-in < 8 mA 200 mA built-in - self resetting < 1.5 V @ 200 mA 2000 Hz < 1 % (Sn) 3...15 % -25...75 °C IP67 POM 1.4305 / SS303 High-Flex PVC, 2m Integrated	10...30 VDC, 3-wire built-in < 8 mA 200 mA built-in - self resetting < 1.5 V @ 200 mA 2000 Hz < 1 % (Sn) 3...15 % -25...75 °C IP67 POM 1.4305 / SS303 Connector M8, 3-pole Integrated	10...30 VDC, 3-wire built-in < 8 mA 200 mA built-in - self resetting < 1.5 V @ 200 mA 2000 Hz < 1 % (Sn) 3...15 % -25...75 °C IP67 POM 1.4305 / SS303 Connector M8, 3-pole Integrated
IPSD6-S2PO18/R3P8 IPSD6-S2PC18/R3P8	IPSD6-S2PO30/A2P IPSD6-S2PC30/A2P	IPSD6-S2PO32/M8 IPSD6-S2PC32/M8	IPSD6-S2PO45/A2P IPSD6-S2PC45/A2P	IPSD6-S2PO45/M8 IPSD6-S2PC45/M8	IPSD6-S2PO60/M8 IPSD6-S2PC60/M8
IPSD6-S2NO18/R3P8 IPSD6-S2NC18/R3P8	IPSD6-S2NO30/A2P IPSD6-S2NC30/A2P	IPSD6-S2NO32/M8 IPSD6-S2NC32/M8	IPSD6-S2NO45/A2P IPSD6-S2NC45/A2P	IPSD6-S2NO45/M8 IPSD6-S2NC45/M8	IPSD6-S2NO60/M8 IPSD6-S2NC60/M8
M8/3...	-	M8/3...	-	M8/3...	M8/3...

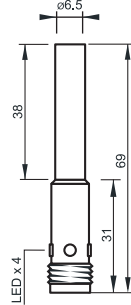
Output Schematics



Ø6.5



2 mm



Ø6.5



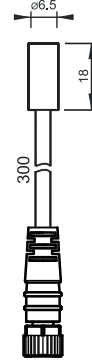
3 mm



Ø6.5



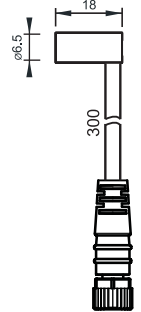
3 mm



Ø6.5



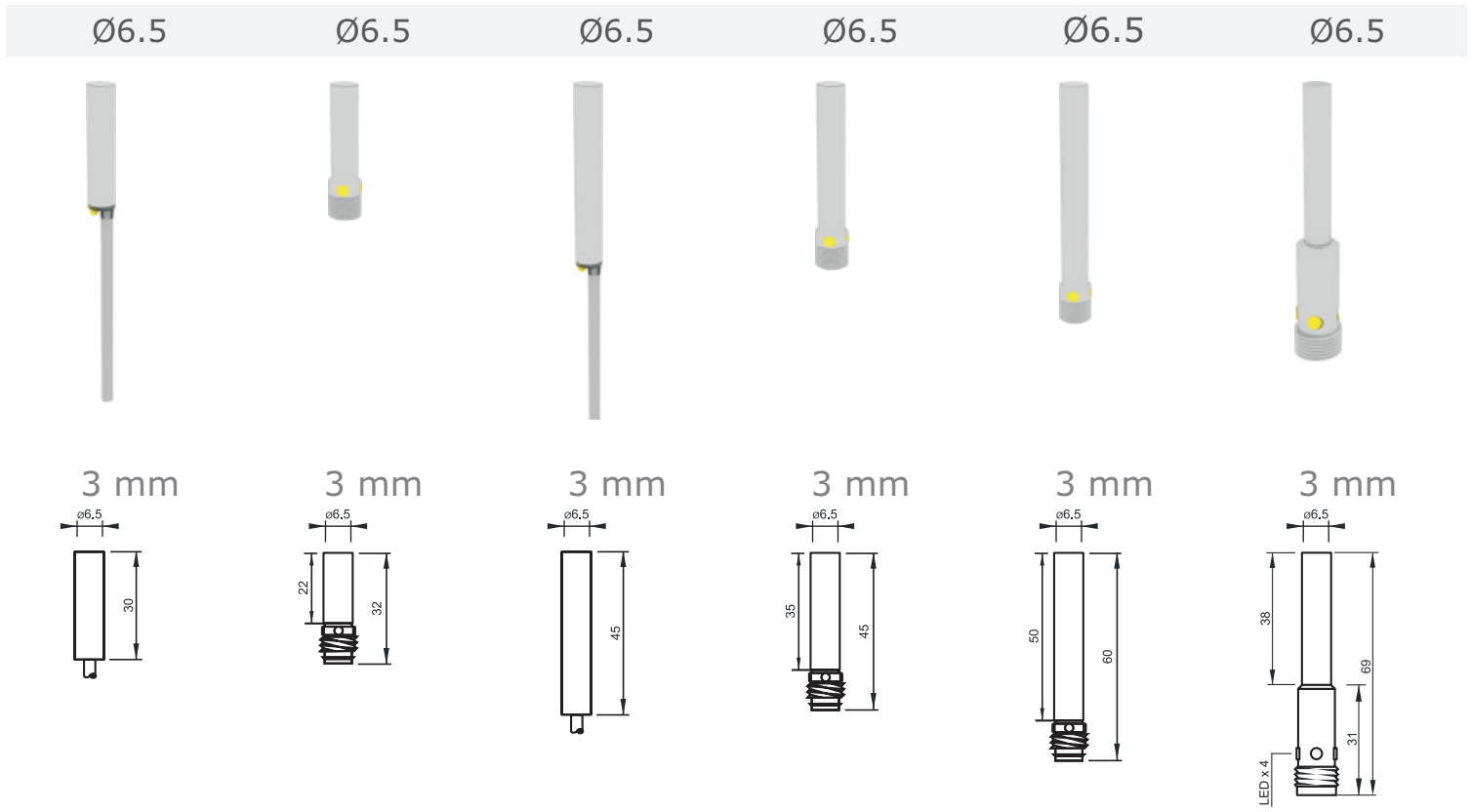
3 mm



SPECIFICATIONS

	Ø6.5 mm	Ø6.5 mm	Ø6.5 mm	Ø6.5 mm
Sensing Distance	2 mm - Shielded	3 mm - Shielded	3 mm - Shielded	3 mm - Shielded
Operating Voltage	10...30 VDC, 3-wire	10...30 VDC, 3-wire	10...30 VDC, 3-wire	10...30 VDC, 3-wire
Reverse Polarity Protection	built-in	built-in	built-in	built-in
Current Consumption	< 8 mA	< 8 mA	< 8 mA	< 8 mA
Current Load Capability	200 mA	200 mA	200 mA	200 mA
Short Circuit Protection	built-in - self resetting	built-in - self resetting	built-in - self resetting	built-in - self resetting
Voltage Drop	< 1.5 V @ 200 mA	< 1.5 V @ 200 mA	< 1.5 V @ 200 mA	< 1.5 V @ 200 mA
Switching Frequency	2000 Hz	1000 Hz	1000 Hz	1000 Hz
Repeatability	< 1 % (Sn)	< 1 % (Sn)	< 1 % (Sn)	< 1 % (Sn)
Hysteresis	3...15 %	3...15 %	3...15 %	3...15 %
Operating Temperature	-25...75 °C	-25...75 °C	-25...75 °C	-25...75 °C
Protection Class	IP67	IP67	IP67	IP67
Sensing Face Material	POM	POM	POM	POM
Housing Material	1.4305 / SS303	1.4305 / SS303	1.4305 / SS303	1.4305 / SS303
Connection	Connector M12, 4-pole	High-Flex PVC, 2m	Connector M8, 3-pole, 300 mm	Connector M8, 3-pole, 300 mm
Output Indicator	Integrated	Integrated	Integrated	Integrated
Article Code				
PNP - NO, 3-wire	IPSD6-S2PO69/M12	IPSD6-S3PO18/A2P	IPSD6-S3PO18/3P8	IPSD6-S3PO18/R3P8
PNP - NC, 3-wire	IPSD6-S2PC69/M12	IPSD6-S3PC18/A2P	IPSD6-S3PC18/3P8	IPSD6-S3PC18/R3P8
PNP - NO+NC, 4-wire				
NPN - NO, 3-wire	IPSD6-S2NO69/M12	IPSD6-S3NO18/A2P	IPSD6-S3NO18/3P8	IPSD6-S3NO18/R3P8
NPN - NC, 3-wire	IPSD6-S2NC69/M12	IPSD6-S3NC18/A2P	IPSD6-S3NC18/3P8	IPSD6-S3NC18/R3P8
NPN - NO+NC, 4-wire				
Recommended Connecting Cable	M12/3...	-	M8/3...	M8/3...

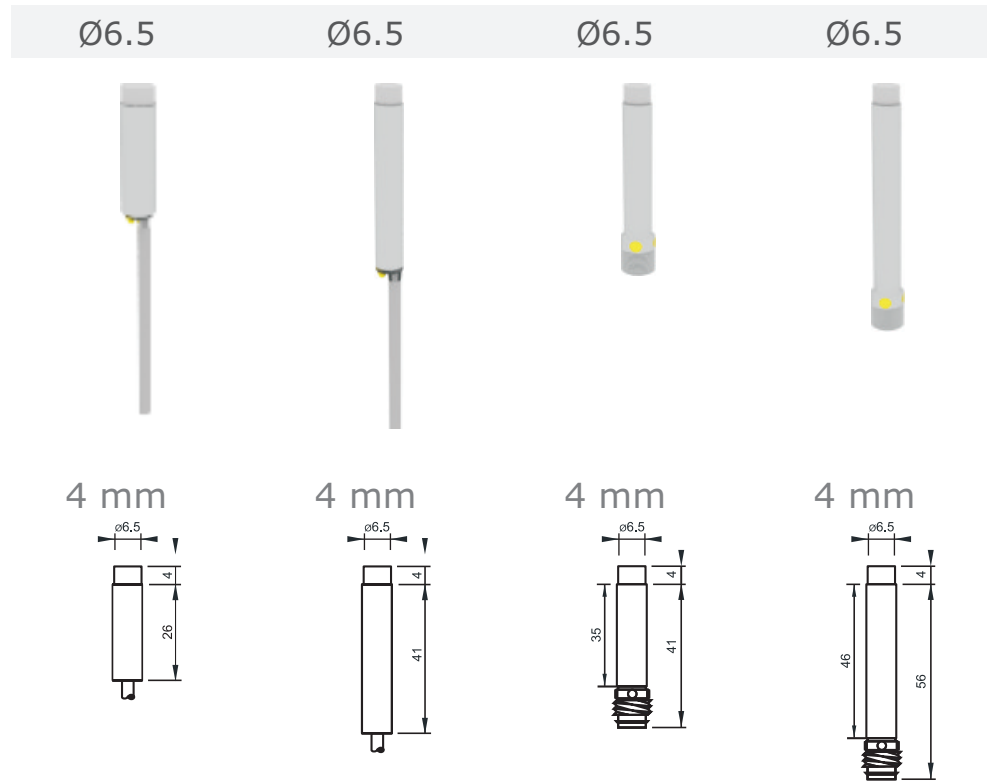
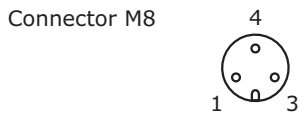
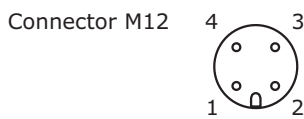
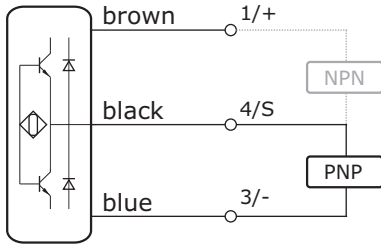
Inductive Proximity Switches



Ø6.5 mm	Ø6.5 mm	Ø6.5 mm	Ø6.5 mm	Ø6.5 mm	Ø6.5 mm
3 mm - Shielded	3 mm - Shielded	3 mm - Shielded	3 mm - Shielded	3 mm - Shielded	3 mm - Shielded
10...30 VDC, 3-wire built-in < 8 mA 200 mA built-in - self resetting < 1.5 V @ 200 mA 1000 Hz < 1 % (Sn) 3...15 % -25...75 °C IP67 POM 1.4305 / SS303 High-Flex PVC, 2m Integrated	10...30 VDC, 3-wire built-in < 8 mA 200 mA built-in - self resetting < 1.5 V @ 200 mA 1000 Hz < 1 % (Sn) 3...15 % -25...75 °C IP67 POM 1.4305 / SS303 Connector M8, 3-pole Integrated	10...30 VDC, 3-wire built-in < 8 mA 200 mA built-in - self resetting < 1.5 V @ 200 mA 1000 Hz < 1 % (Sn) 3...15 % -25...75 °C IP67 POM 1.4305 / SS303 High-Flex PVC, 2m Integrated	10...30 VDC, 3-wire built-in < 8 mA 200 mA built-in - self resetting < 1.5 V @ 200 mA 1000 Hz < 1 % (Sn) 3...15 % -25...75 °C IP67 POM 1.4305 / SS303 Connector M8, 3-pole Integrated	10...30 VDC, 3-wire built-in < 8 mA 200 mA built-in - self resetting < 1.5 V @ 200 mA 1000 Hz < 1 % (Sn) 3...15 % -25...75 °C IP67 POM 1.4305 / SS303 Connector M8, 3-pole Integrated	10...30 VDC, 3-wire built-in < 8 mA 200 mA built-in - self resetting < 1.5 V @ 200 mA 1000 Hz < 1 % (Sn) 3...15 % -25...75 °C IP67 POM 1.4305 / SS303 Connector M12, 4-pole Integrated
IPSD6-S3PO30/A2P IPSD6-S3PC30/A2P	IPSD6-S3PO32/M8 IPSD6-S3PC32/M8	IPSD6-S3PO45/A2P IPSD6-S3PC45/A2P	IPSD6-S3PO45/M8 IPSD6-S3PC45/M8	IPSD6-S3PO60/M8 IPSD6-S3PC60/M8	IPSD6-S3PO70/M12 IPSD6-S3PC70/M12
IPSD6-S3NO30/A2P IPSD6-S3NC30/A2P	IPSD6-S3NO32/M8 IPSD6-S3NC32/M8	IPSD6-S3NO45/A2P IPSD6-S3NC45/A2P	IPSD6-S3NO45/M8 IPSD6-S3NC45/M8	IPSD6-S3NO60/M8 IPSD6-S3NC60/M8	IPSD6-S3NO70/M12 IPSD6-S3NC70/M12
-	M8/3...	-	M8/3...	M8/3...	M12/3...

Inductive Proximity Switches

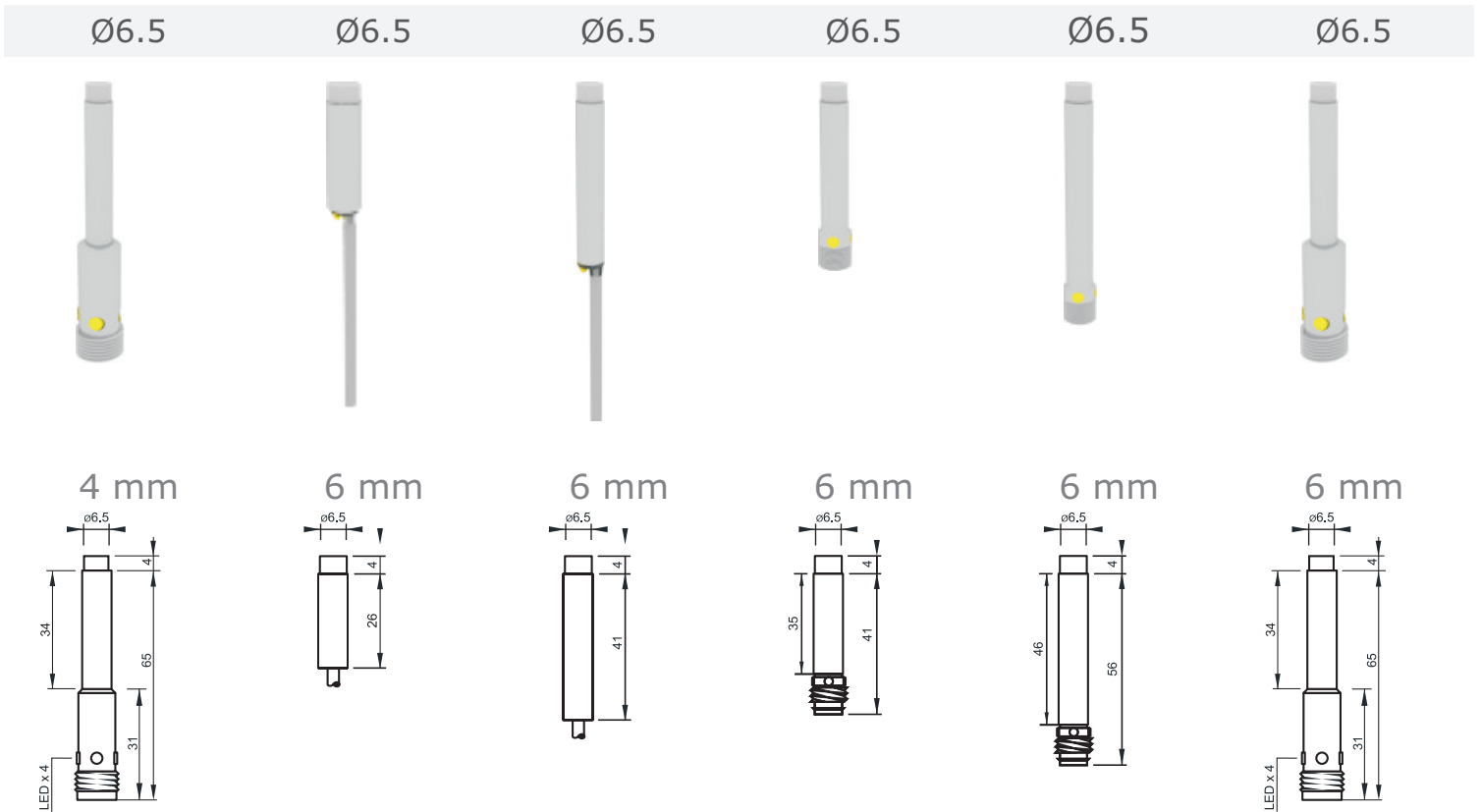
Output Schematics



SPECIFICATIONS

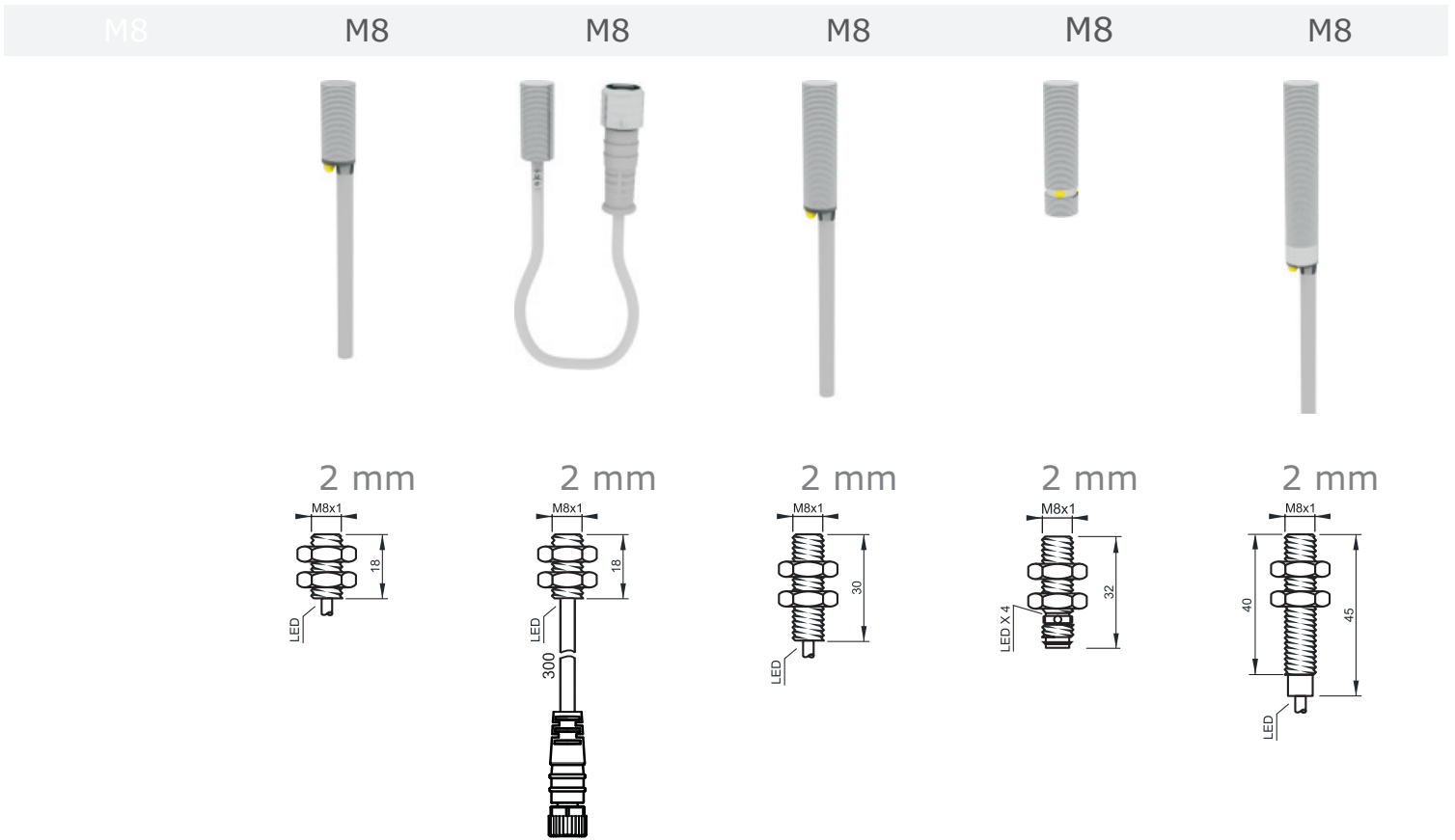
	Ø6.5 mm	Ø6.5 mm	Ø6.5 mm	Ø6.5 mm
Sensing Distance	4 mm - Unshielded	4 mm - Unshielded	4 mm - Unshielded	4 mm - Unshielded
Operating Voltage	10...30 VDC, 3-wire	10...30 VDC, 3-wire	10...30 VDC, 3-wire	10...30 VDC, 3-wire
Reverse Polarity Protection	built-in	built-in	built-in	built-in
Current Consumption	< 8 mA	< 8 mA	< 8 mA	< 8 mA
Current Load Capability	200 mA	200 mA	200 mA	200 mA
Short Circuit Protection	built-in - self resetting	built-in - self resetting	built-in - self resetting	built-in - self resetting
Voltage Drop	< 1.5 V @ 200 mA	< 1.5 V @ 200 mA	< 1.5 V @ 200 mA	< 1.5 V @ 200 mA
Switching Frequency	1000 Hz	1000 Hz	1000 Hz	1000 Hz
Repeatability	< 1 % (Sn)	< 1 % (Sn)	< 1 % (Sn)	< 1 % (Sn)
Hysteresis	3...15 %	3...15 %	3...15 %	3...15 %
Operating Temperature	-25...75 °C	-25...75 °C	-25...75 °C	-25...75 °C
Protection Class	IP67	IP67	IP67	IP67
Sensing Face Material	POM	POM	POM	POM
Housing Material	1.4305 / SS303	1.4305 / SS303	1.4305 / SS303	1.4305 / SS303
Connection	High-Flex PVC, 2m	High-Flex PVC, 2m	Connector M8, 3-pole	Connector M8, 3-pole
Output Indicator	Integrated	Integrated	Integrated	Integrated
Article Code				
PNP - NO, 3-wire	IPSD6-N4PO30/A2P	IPSD6-N4PO45/A2P	IPSD6-N4PO45/M8	IPSD6-N4PO60/M8
PNP - NC, 3-wire	IPSD6-N4PC30/A2P	IPSD6-N4PC45/A2P	IPSD6-N4PC45/M8	IPSD6-N4PC60/M8
PNP - NO+NC, 4-wire				
NPN - NO, 3-wire	IPSD6-N4NO30/A2P	IPSD6-N4NO30/A2P	IPSD6-N4NO45/M8	IPSD6-N4NO60/M8
NPN - NC, 3-wire	IPSD6-N4NC30/A2P	IPSD6-N4NC45/A2P	IPSD6-N4NC45/M8	IPSD6-N4NC60/M8
NPN - NO+NC, 4-wire				
Recommended Connecting Cable	-	-	M8/3...	M8/3...

Inductive Proximity Switches



Ø6.5 mm	Ø6.5 mm	Ø6.5 mm	Ø6.5 mm	Ø6.5 mm	Ø6.5 mm
4 mm - Unshielded	6 mm - Unshielded	6 mm - Unshielded	6 mm - Unshielded	6 mm - Unshielded	6 mm - Unshielded
10...30 VDC, 3-wire built-in	10...30 VDC, 3-wire built-in	10...30 VDC, 3-wire built-in	10...30 VDC, 3-wire built-in	10...30 VDC, 3-wire built-in	10...30 VDC, 3-wire built-in
< 8 mA	< 8 mA	< 8 mA	< 8 mA	< 8 mA	< 8 mA
200 mA	200 mA	200 mA	200 mA	200 mA	200 mA
built-in - self resetting	built-in - self resetting	built-in - self resetting	built-in - self resetting	built-in - self resetting	built-in - self resetting
< 1.5 V @ 200 mA	< 1.5 V @ 200 mA	< 1.5 V @ 200 mA	< 1.5 V @ 200 mA	< 1.5 V @ 200 mA	< 1.5 V @ 200 mA
1000 Hz	500 Hz	500 Hz	500 Hz	500 Hz	500 Hz
< 1 % (Sn)	< 1 % (Sn)	< 1 % (Sn)	< 1 % (Sn)	< 1 % (Sn)	< 1 % (Sn)
3...15 %	3...15 %	3...15 %	3...15 %	3...15 %	3...15 %
-25...75 °C	-25...75 °C	-25...75 °C	-25...75 °C	-25...75 °C	-25...75 °C
IP67	IP67	IP67	IP67	IP67	IP67
POM	POM	POM	POM	POM	POM
1.4305 / SS303	1.4305 / SS303	1.4305 / SS303	1.4305 / SS303	1.4305 / SS303	1.4305 / SS303
Connector M12, 4-pole Integrated	High-Flex PVC, 2m Integrated	High-Flex PVC, 2m Integrated	Connector M8, 3-pole Integrated	Connector M8, 3-pole Integrated	Connector M12, 4-pole Integrated
IPSD6-N4PO69/M12 IPSD6-N4PC69/M12	IPSD6-N6PO30/A2P IPSD6-N6P305/A2P	IPSD6-N6PO45/A2P IPSD6-N6PC45/A2P	IPSD6-N6PO45/M8 IPSD6-N6PC45/M8	IPSD6-N6PO60/M8 IPSD6-N6PC60/M8	IPSD6-N6PO70/M12 IPSD6-N6PC70/M12
IPSD6-N4NO69/M12 IPSD6-N4NC69/M12	IPSD6-N63045/A2P IPSD6-N30C45/A2P	IPSD6-N6NO45/A2P IPSD6-N6NC45/A2P	IPSD6-N6NO45/M8 IPSD6-N6NC45/M8	IPSD6-N6NO60/M8 IPSD6-N6NC60/M8	IPSD6-N6NO70/M12 IPSD6-N6NC70/M12
M12/3...	-	-	M8/3...	M8/3...	M12/3...

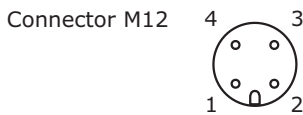
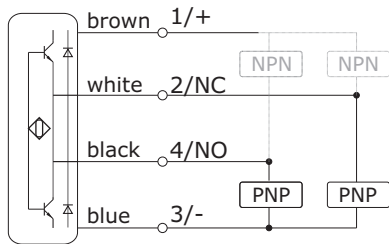
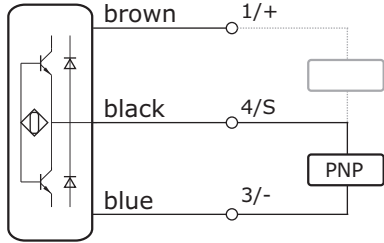
Inductive Proximity Switches



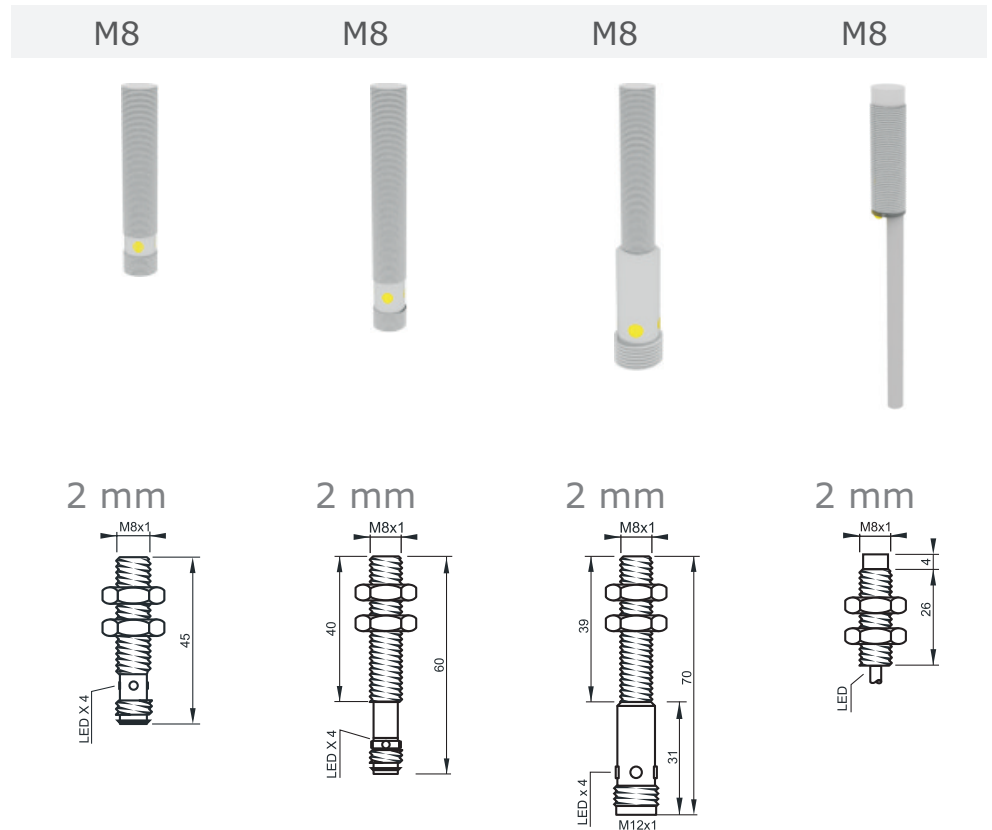
M8x1	M8x1	M8x1	M8x1	M8x1	M8x1
2 mm - Shielded	2 mm - Shielded	2 mm - Shielded	2 mm - Shielded	2 mm - Shielded	2 mm - Shielded
10...30 VDC, 3-wire built-in < 8 mA 200 mA built-in - self resetting < 1.5 V @ 200 mA 2000 Hz < 1 % (Sn) 3...15 % -25...75 °C IP67 POM 1.4305 / SS303 High-Flex PVC, 2m Integrated	10...30 VDC, 3-wire built-in < 8 mA 200 mA built-in - self resetting < 1.5 V @ 200 mA 2000 Hz < 1 % (Sn) 3...15 % -25...75 °C IP67 POM 1.4305 / SS303 Connector M8, 3-pole, 300 mm Integrated	10...30 VDC, 3-wire built-in < 8 mA 200 mA built-in - self resetting < 1.5 V @ 200 mA 2000 Hz < 1 % (Sn) 3...15 % -25...75 °C IP67 POM 1.4305 / SS303 High-Flex PVC, 2m Integrated	10...30 VDC, 3-wire built-in < 8 mA 200 mA built-in - self resetting < 1.5 V @ 200 mA 2000 Hz < 1 % (Sn) 3...15 % -25...75 °C IP67 POM 1.4305 / SS303 High-Flex PVC, 2m Integrated	10...30 VDC, 3-wire built-in < 8 mA 200 mA built-in - self resetting < 1.5 V @ 200 mA 2000 Hz < 1 % (Sn) 3...15 % -25...75 °C IP67 POM 1.4305 / SS303 Connector M8, 3-pole Integrated	10...30 VDC, 3-wire built-in < 8 mA 200 mA built-in - self resetting < 1.5 V @ 200 mA 2000 Hz < 1 % (Sn) 3...15 % -25...75 °C IP67 POM 1.4305 / SS303 High-Flex PVC, 2m Integrated
IPS8-S2PO18/A2P IPS8-S2PC18/A2P	IPS8-S2PO18/3P8 IPS8-S2PC18/3P8	IPS8-S2PO30/A2P IPS8-S2PC30/A2P IPS8-S2PCO30/A2P	IPS8-S2NO18/A2P IPS8-S2NC18/A2P	IPS8-S2PO32/M8 IPS8-S2PC32/M8	IPS8-S2PO45/A2P IPS8-S2PC45/A2P IPS8-S2PCO45/A2P IPS8-S2NO45/A2P IPS8-S2NC45/A2P IPS8-S2NCO45/A2P
-	M8/3...	-	M8/3...	-	-

Inductive Proximity Switches

Output Schematics



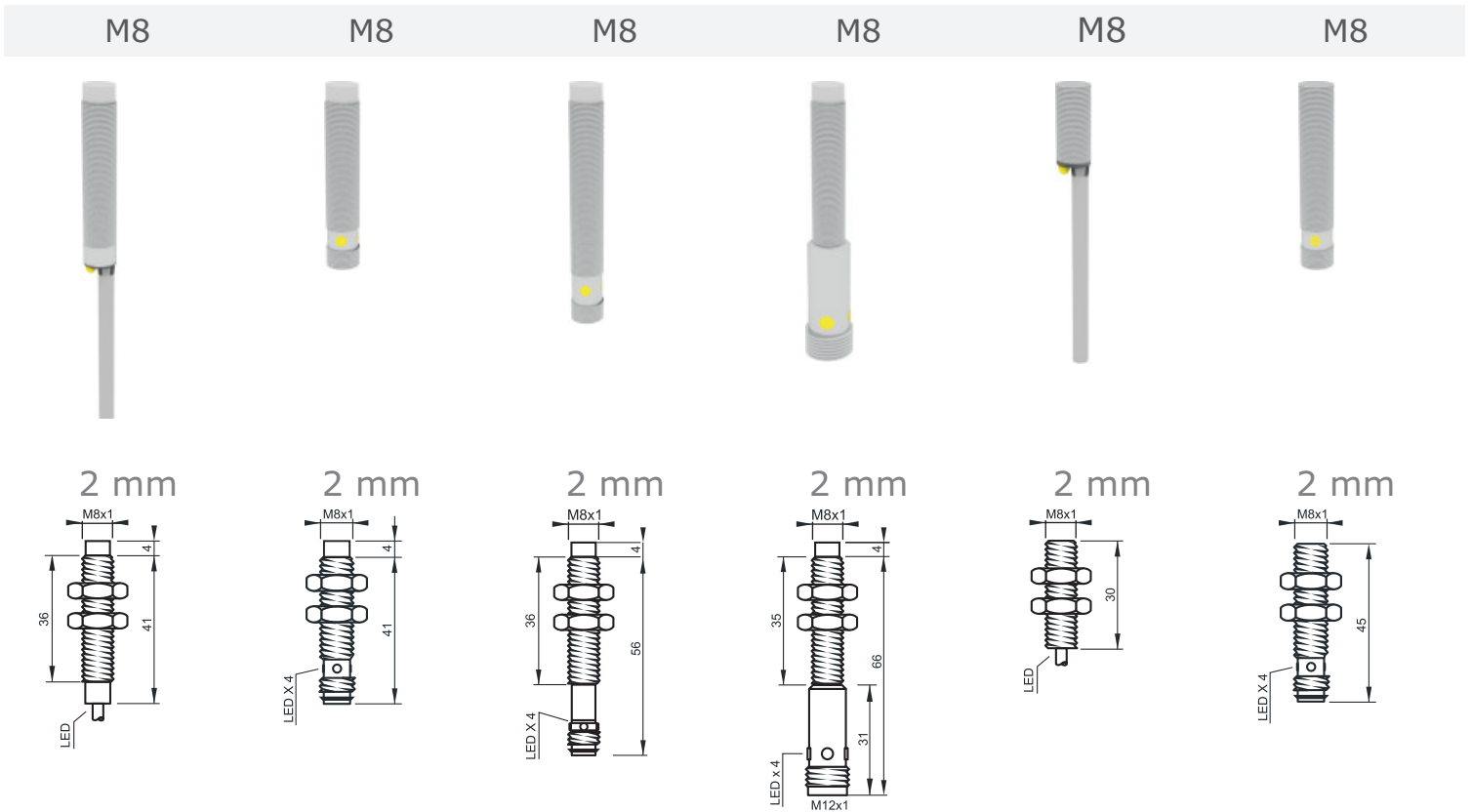
Not to be used for Safety Applications



SPECIFICATIONS

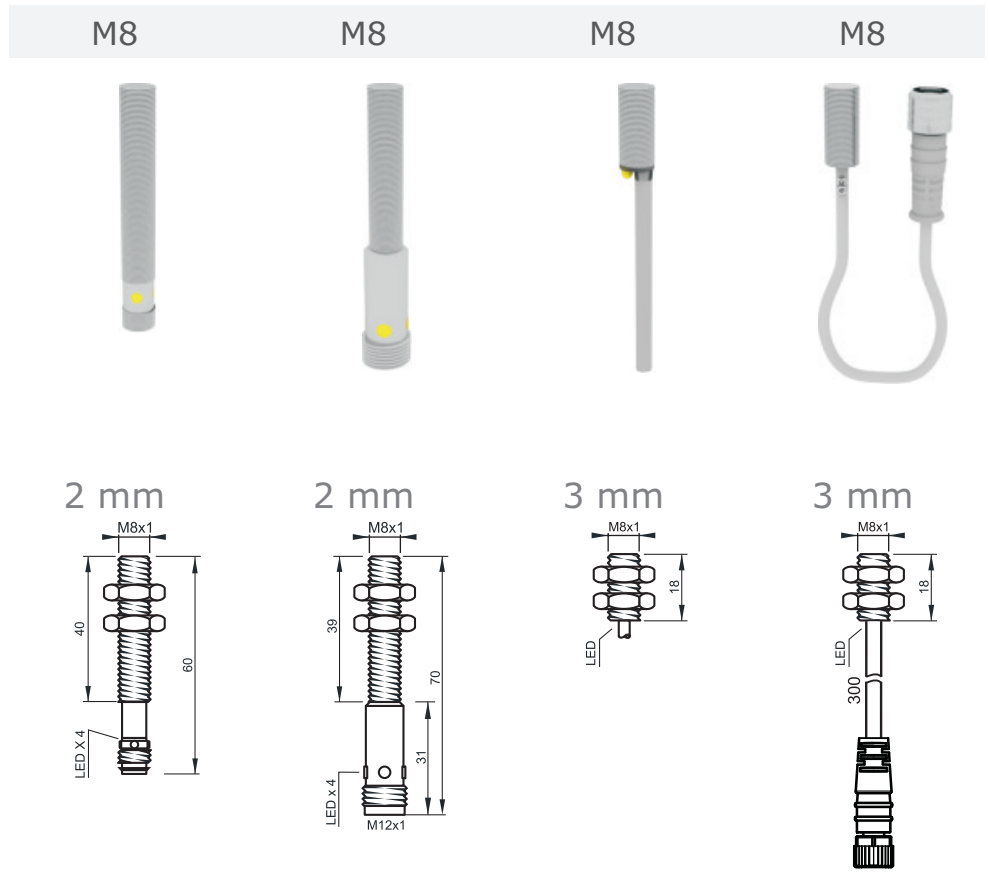
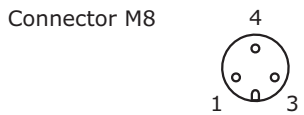
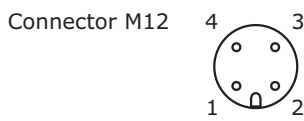
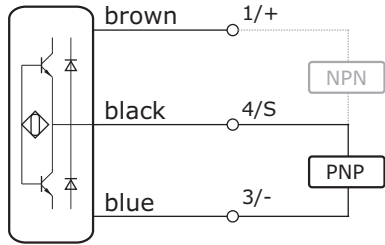
	M8x1	M8x1	M8x1	M8x1
Sensing Distance	2 mm - Shielded	2 mm - Shielded	2 mm - Shielded	2 mm - Unshielded
Operating Voltage	10...30 VDC, 3-wire	10...30 VDC, 3-wire	10...30 VDC, 3-wire	10...30 VDC, 3-wire
Reverse Polarity Protection	built-in	built-in	built-in	built-in
Current Consumption	< 8 mA	< 8 mA	< 8 mA	< 8 mA
Current Load Capability	200 mA	200 mA	200 mA	200 mA
Short Circuit Protection	built-in - self resetting	built-in - self resetting	built-in - self resetting	built-in - self resetting
Voltage Drop	< 1.5 V @ 200 mA	< 1.5 V @ 200 mA	< 1.5 V @ 200 mA	< 1.5 V @ 200 mA
Switching Frequency	2000 Hz	2000 Hz	2000 Hz	2000 Hz
Repeatability	< 1 % (Sn)	< 1 % (Sn)	< 1 % (Sn)	< 1 % (Sn)
Hysteresis	3...15 %	3...15 %	3...15 %	3...15 %
Operating Temperature	-25...75 °C	-25...75 °C	-25...75 °C	-25...75 °C
Protection Class	IP67	IP67	IP67	IP67
Sensing Face Material	POM	POM	POM	POM
Housing Material	1.4305 / SS303	1.4305 / SS303	1.4305 / SS303	1.4305 / SS303
Connection	Connector M8, 3-pole	Connector M8, 3-pole	Connector M12, 4-pole	High-Flex PVC, 2m
Output Indicator	Integrated	Integrated	Integrated	Integrated
Article Code				
PNP - NO, 3-wire	IPS8-S2PO45/M8	IPS8-S2PO60/M8	IPS8-S2PO70/M12	IPS8-N2PO30/A2P
PNP - NC, 3-wire	IPS8-S2PC45/M8	IPS8-S2PC60/M8	IPS8-S2PC70/M12	IPS8-N2PC30/A2P
PNP - NO+NC, 4-wire	IPS8-S2PCO45/M8	IPS8-S2PCO60/M8	IPS8-S2PCO70/M12	
NPN - NO, 3-wire	IPS8-S2NO45/M8	IPS8-S2NO60/M8	IPS8-S2NO70/M12	IPS8-N2NO30/A2P
NPN - NC, 3-wire	IPS8-S2NC45/M8	IPS8-S2NC60/M8	IPS8-S2NC70/M12	IPS8-N2NC30/A2P
NPN - NO+NC, 4-wire	IPS8-S2NCO45/M8	IPS8-S2NCO60/M8	IPS8-S2NCO70/M12	
10...55 VDC - NO, 2-wire				
10...55 VDC - NC, 2-wire				
Recommended Connecting Cable	M8/3... / M8/4...	M8/3... / M8/4...	M12/3... / M12/4...	-

Inductive Proximity Switches



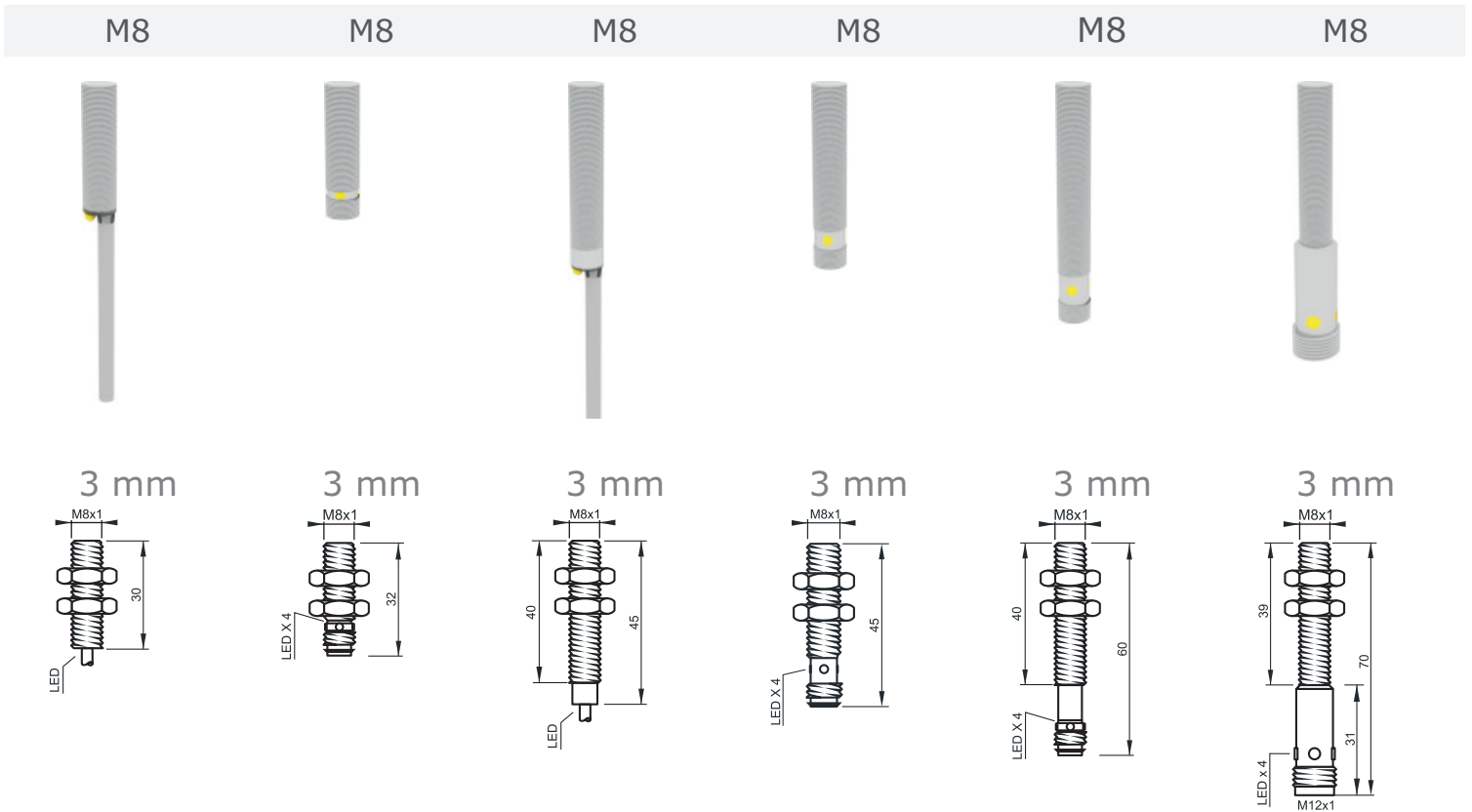
M8x1	M8x1	M8x1	M8x1	M8 Metal Face	M8 Metal Face
2 mm - Unshielded	2 mm - Unshielded	2 mm - Unshielded	2 mm - Unshielded	2 mm - Shielded	2 mm - Shielded
10...30 VDC, 3-wire built-in	10...30 VDC, 3-wire built-in	10...30 VDC, 3-wire built-in	10...30 VDC, 3-wire built-in	10...30 VDC, 3-wire built-in	10...30 VDC, 3-wire built-in
< 8 mA	< 8 mA	< 8 mA	< 8 mA	< 8 mA	< 8 mA
200 mA	200 mA	200 mA	200 mA	200 mA	200 mA
built-in - self resetting	built-in - self resetting	built-in - self resetting	built-in - self resetting	built-in - self resetting	built-in - self resetting
< 1.5 V @ 200 mA	< 1.5 V @ 200 mA	< 1.5 V @ 200 mA	< 1.5 V @ 200 mA	< 1.5 V @ 200 mA	< 1.5 V @ 200 mA
2000 Hz	2000 Hz	2000 Hz	2000 Hz	1000 Hz	1000 Hz
< 1 % (Sn)	< 1 % (Sn)	< 1 % (Sn)	< 1 % (Sn)	< 1 % (Sn)	< 1 % (Sn)
3...15 %	3...15 %	3...15 %	3...15 %	3...15 %	3...15 %
-25...75 °C	-25...75 °C	-25...75 °C	-25...75 °C	-25...75 °C	-25...75 °C
IP67	IP67	IP67	IP67	IP69k, Conn. IP67	IP69k, Conn. IP67
POM	POM	POM	POM	1.4305 / SS303	1.4305 / SS303
1.4305 / SS303	1.4305 / SS303	1.4305 / SS303	1.4305 / SS303	1.4305 / SS303	1.4305 / SS303
High-Flex PVC, 2m Integrated	Connector M8, 3-pole Integrated	Connector M8, 3-pole Integrated	Connector M12, 4-pole Integrated	High-Flex PVC, 2m Integrated	Connector M8, 3-pole Integrated
IPS8-N2PO45/A2P	IPS8-N2PO45/M8	IPS8-N2PO60/M8	IPS8-N2PO70/M12	IMF8-S2PO30/A2P	IMF8-S2PO45/M8
IPS8-N2PC45/A2P	IPS8-N2PC45/M8	IPS8-N2PC60/M8	IPS8-N2PC70/M12	IMF8-S2PC30/A2P	IMF8-S2PC45/M8
IPS8-N2NO45/A2P	IPS8-N2NO45/M8	IPS8-N2NO60/M8	IPS8-N2NO70/M12	IMF8-S2NO30/A2P	IMF8-S2NO45/M8
IPS8-N2NC45/A2P	IPS8-N2NC45/M8	IPS8-N2NC60/M8	IPS8-N2NC70/M12	IMF8-S2NC30/A2P	IMF8-S2NC45/M8
IPS8-N2DO45/A2P		IPS8-N2DO60/M8	IPS8-N2DO70/M12		
IPS8-N2DC45/A2P		IPS8-N2DC60/M8	IPS8-N2DC70/M12		
-	M8/3...	M8/3...	M8/3...	-	M8/3...

Output Schematics



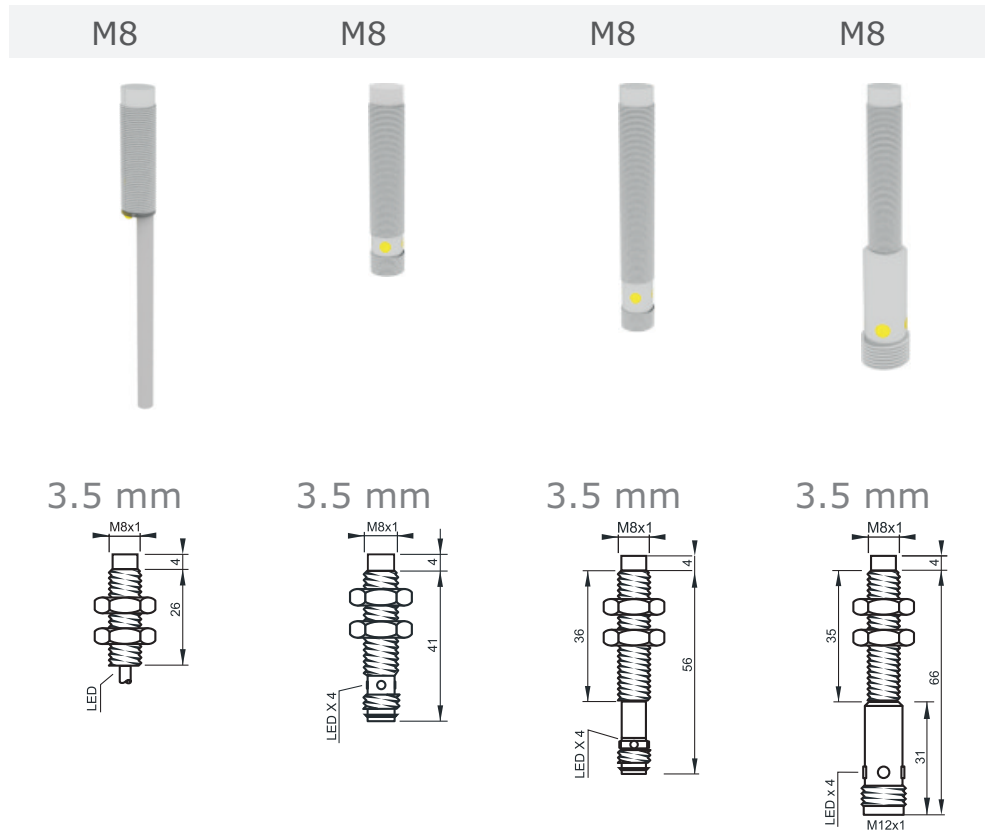
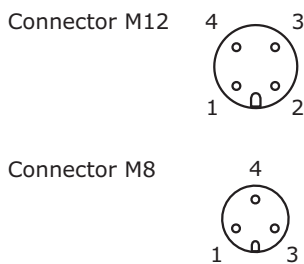
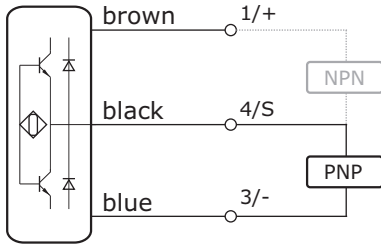
SPECIFICATIONS

	M8 Metal Face	M8 Metal Face	M8x1	M8x1
Sensing Distance	2 mm - Shielded	2 mm - Shielded	3 mm - Shielded	3 mm - Shielded
Operating Voltage	10...30 VDC, 3-wire	10...30 VDC, 3-wire	10...30 VDC, 3-wire	10...30 VDC, 3-wire
Reverse Polarity Protection	built-in	built-in	built-in	built-in
Current Consumption	< 8 mA	< 8 mA	< 8 mA	< 8 mA
Current Load Capability	200 mA	200 mA	200 mA	200 mA
Short Circuit Protection	built-in - self resetting	built-in - self resetting	built-in - self resetting	built-in - self resetting
Voltage Drop	< 1.5 V @ 200 mA	< 1.5 V @ 200 mA	< 1.5 V @ 200 mA	< 1.5 V @ 200 mA
Switching Frequency	1000 Hz	1000 Hz	1000 Hz	1000 Hz
Repeatability	< 1 % (Sn)	< 1 % (Sn)	< 1 % (Sn)	< 1 % (Sn)
Hysteresis	3...15 %	3...15 %	3...15 %	3...15 %
Operating Temperature	-25...75 °C	-25...75 °C	-25...75 °C	-25...75 °C
Protection Class	IP69k, Conn. IP67	IP69k, Conn. IP67	IP67	IP67
Sensing Face Material	1.4305 / SS303	1.4305 / SS303	POM	POM
Housing Material	1.4305 / SS303	1.4305 / SS303	1.4305 / SS303	1.4305 / SS303
Connection	Connector M8, 3-pole	Connector M12, 4-pole	High-Flex PVC, 2m	Connector M8, 3-pole, 300 mm
Output Indicator	Integrated	Integrated	Integrated	Integrated
Article Code				
PNP - NO, 3-wire	IMF8-S2PO60/M8	IMF8-S2PO70/M12	IPS8-S3PO18/A2P	IPS8-S3PO18/3P8
PNP - NC, 3-wire	IMF8-S2PC60/M8	IMF8-S2PC70/M12	IPS8-S3PC18/A2P	IPS8-S3PC18/3P8
PNP - NO+NC, 4-wire				
NPN - NO, 3-wire	IMF8-S2NO60/M8	IMF8-S2NO70/M12	IPS8-S3NO18/A2P	IPS8-S3NO18/3P8
NPN - NC, 3-wire	IMF8-S2NC60/M8	IMF8-S2NC70/M12	IPS8-S3NC18/A2P	IPS8-S3NC18/3P8
NPN - NO+NC, 4-wire				
Recommended Connecting Cable	M8/3...	M12/3...	-	M8/3...



M8x1	M8x1	M8x1	M8x1	M8x1	M8x1
3 mm - Shielded	3 mm - Shielded	3 mm - Shielded	3 mm - Shielded	3 mm - Shielded	3 mm - Shielded
10...30 VDC, 3-wire built-in	10...30 VDC, 3-wire built-in	10...30 VDC, 3-wire built-in	10...30 VDC, 3-wire built-in	10...30 VDC, 3-wire built-in	10...30 VDC, 3-wire built-in
< 8 mA	< 8 mA	< 8 mA	< 8 mA	< 8 mA	< 8 mA
200 mA	200 mA	200 mA	200 mA	200 mA	200 mA
built-in - self resetting	built-in - self resetting	built-in - self resetting	built-in - self resetting	built-in - self resetting	built-in - self resetting
< 1.5 V @ 200 mA	< 1.5 V @ 200 mA	< 1.5 V @ 200 mA	< 1.5 V @ 200 mA	< 1.5 V @ 200 mA	< 1.5 V @ 200 mA
1000 Hz	1000 Hz	1000 Hz	1000 Hz	1000 Hz	1000 Hz
< 1 % (Sn)	< 1 % (Sn)	< 1 % (Sn)	< 1 % (Sn)	< 1 % (Sn)	< 1 % (Sn)
3...15 %	3...15 %	3...15 %	3...15 %	3...15 %	3...15 %
-25...75 °C	-25...75 °C	-25...75 °C	-25...75 °C	-25...75 °C	-25...75 °C
IP67	IP67	IP67	IP67	IP67	IP67
POM	POM	POM	POM	POM	POM
1.4305 / SS303	1.4305 / SS303	1.4305 / SS303	1.4305 / SS303	1.4305 / SS303	1.4305 / SS303
High-Flex PVC, 2m Integrated	Connector M8, 3-pole Integrated	High-Flex PVC, 2m Integrated	Connector M8, 3-pole Integrated	Connector M8, 3-pole Integrated	Connector M12, 4-pole Integrated
IPS8-S3PO30/A2P IPS8-S3PC30/A2P	IPS8-S3PO32/M8 IPS8-S3PC32/M8	IPS8-S3PO45/A2P IPS8-S3PC45/A2P	IPS8-S3PO45/M8 IPS8-S3PC45/M8	IPS8-S3PO60/M8 IPS8-S3PC60/M8	IPS8-S3PO70/M12 IPS8-S3PC70/M12
IPS8-S3NO30/A2P IPS8-S3NC30/A2P	IPS8-S3NO32/M8 IPS8-S3NC32/M8	IPS8-S3NO45/A2P IPS8-S3NC45/A2P	IPS8-S3NO45/M8 IPS8-S3NC45/M8	IPS8-S3NO60/M8 IPS8-S3NC60/M8	IPS8-S3NO70/M12 IPS8-S3NC70/M12
-	M8/3...	-	M8/3...	M8/3...	M12/3...

Output Schematics



SPECIFICATIONS

	M8 Metal Face	M8 Metal Face	M8 Metal Face	M8 Metal Face
Sensing Distance	3.5 mm - Unshielded	3.5 mm - Unshielded	3.5 mm - Unshielded	3.5 mm - Unshielded
Operating Voltage	10...30 VDC, 3-wire	10...30 VDC, 3-wire	10...30 VDC, 3-wire	10...30 VDC, 3-wire
Reverse Polarity Protection	built-in	built-in	built-in	built-in
Current Consumption	< 8 mA	< 8 mA	< 8 mA	< 8 mA
Current Load Capability	200 mA	200 mA	200 mA	200 mA
Short Circuit Protection	built-in - self resetting	built-in - self resetting	built-in - self resetting	built-in - self resetting
Voltage Drop	< 1.5 V @ 200 mA	< 1.5 V @ 200 mA	< 1.5 V @ 200 mA	< 1.5 V @ 200 mA
Switching Frequency	1000 Hz	1000 Hz	1000 Hz	1000 Hz
Repeatability	< 1 % (Sn)	< 1 % (Sn)	< 1 % (Sn)	< 1 % (Sn)
Hysteresis	3...15 %	3...15 %	3...15 %	3...15 %
Operating Temperature	-25...75 °C	-25...75 °C	-25...75 °C	-25...75 °C
Protection Class	IP69k, Conn. IP67	IP69k, Conn. IP67	IP69k, Conn. IP67	IP69k, Conn. IP67
Sensing Face Material	1.4305 / SS303	1.4305 / SS303	1.4305 / SS303	1.4305 / SS303
Housing Material	1.4305 / SS303	1.4305 / SS303	1.4305 / SS303	1.4305 / SS303
Connection	High-Flex PVC, 2m	Connector M8, 3-pole	Connector M8, 3-pole	Connector M12, 4-pole
Output Indicator	Integrated	Integrated	Integrated	Integrated
Article Code				
PNP - NO, 3-wire	IMF8-N4PO30/A2P	IMF8-N4PO45/M8	IMF8-N4PO60/M8	IMF8-N4PO70/M12
PNP - NC, 3-wire	IMF8-N4PC30/A2P	IMF8-N4PC45/M8	IMF8-N4PC60/M8	IMF8-N4PC70/M12
PNP - NO+NC, 4-wire				
NPN - NO, 3-wire	IMF8-N4NO30/A2P	IMF8-N4NO45/M8	IMF8-N4NO60/M8	IMF8-N4NO70/M12
NPN - NC, 3-wire	IMF8-N4NC30/A2P	IMF8-N4NC45/M8	IMF8-N4NC60/M8	IMF8-N4NC70/M12
NPN - NO+NC, 4-wire				

Recommended Connecting Cable

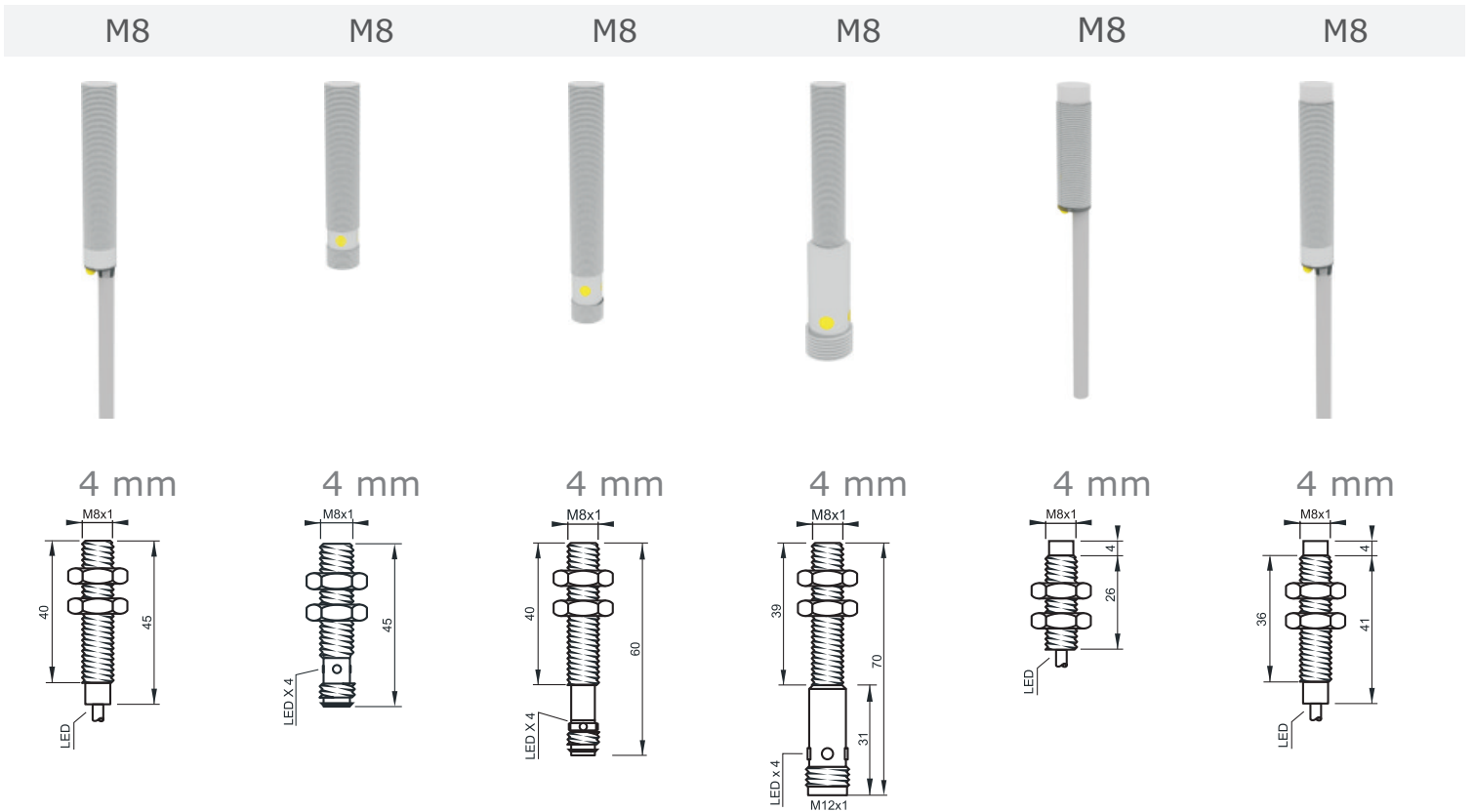
-

M8/3...

M8/3...

M12/3...

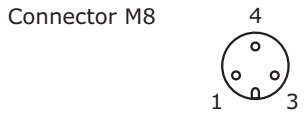
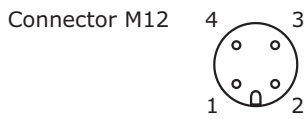
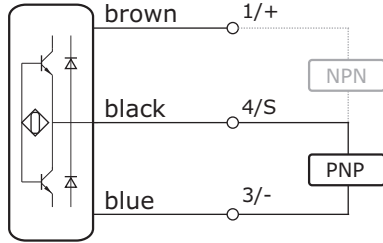
Inductive Proximity Switches



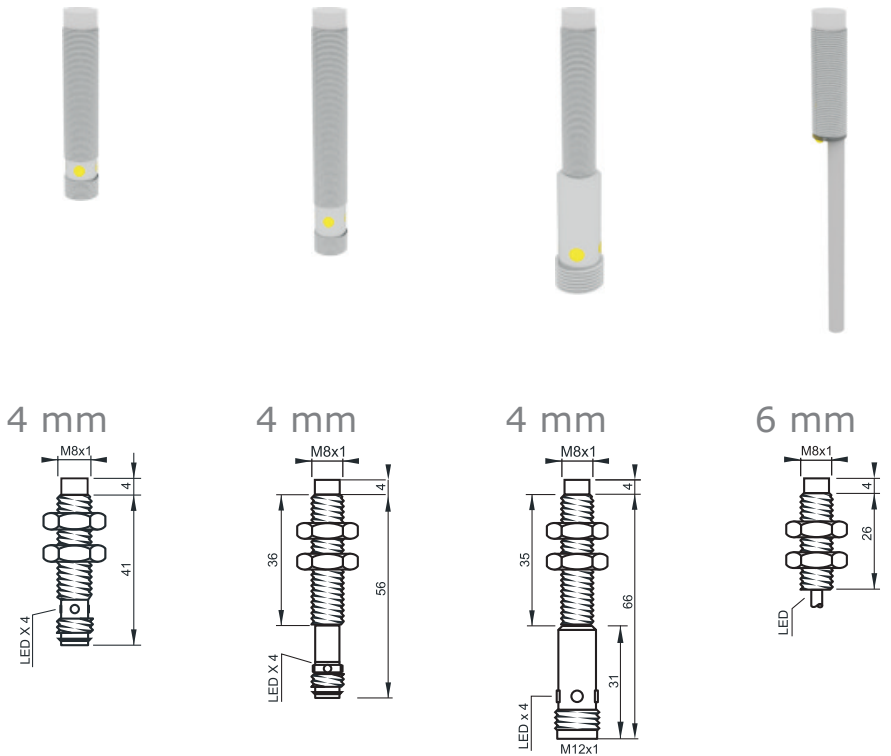
M8 Performance	M8 Performance	M8 Performance	M8 Performance	M8x1	M8x1
4 mm - Shielded	4 mm - Shielded	4 mm - Shielded	4 mm - Shielded	4 mm - Unshielded	4 mm - Unshielded
10...30 VDC, 3-wire built-in	10...30 VDC, 3-wire built-in	10...30 VDC, 3-wire built-in	10...30 VDC, 3-wire built-in	10...30 VDC, 3-wire built-in	10...30 VDC, 3-wire built-in
< 8 mA	< 8 mA	< 8 mA	< 8 mA	< 8 mA	< 8 mA
200 mA	200 mA	200 mA	200 mA	200 mA	200 mA
built-in - self resetting	built-in - self resetting	built-in - self resetting	built-in - self resetting	built-in - self resetting	built-in - self resetting
< 1.5 V @ 200 mA	< 1.5 V @ 200 mA	< 1.5 V @ 200 mA	< 1.5 V @ 200 mA	< 1.5 V @ 200 mA	< 1.5 V @ 200 mA
500 Hz	500 Hz	500 Hz	500 Hz	1000 Hz	1000 Hz
< 1 % (Sn)	< 1 % (Sn)	< 1 % (Sn)	< 1 % (Sn)	< 1 % (Sn)	< 1 % (Sn)
3...15 %	3...15 %	3...15 %	3...15 %	3...15 %	3...15 %
-25...75 °C	-25...75 °C	-25...75 °C	-25...75 °C	-25...75 °C	-25...75 °C
IP67	IP67	IP67	IP67	IP67	IP67
POM	POM	POM	POM	POM	POM
Plated Brass	Plated Brass	Plated Brass	1.4305 / SS303	1.4305 / SS303	1.4305 / SS303
High-Flex PVC, 2m Integrated	Connector M8, 3-pole Integrated	Connector M8, 3-pole Integrated	Connector M12, 4-pole Integrated	High-Flex PVC, 2m Integrated	High-Flex PVC, 2m Integrated
IPS8-S4PO45/A2P IPS8-S4PC45/A2P	IPS8-S4PO45/M8 IPS8-S4PC45/M8	IPS8-S4PO60/M8 IPS8-S4PC60/M8	IPS8-S4PO70/M12 IPS8-S4PC70/M12	IPS8-N4PO30/A2P IPS8-N4PC30/A2P	IPS8-N4PO45/A2P IPS8-N4PC45/A2P
IPS8-S4NO45/A2P IPS8-S4NC45/A2P	IPS8-S4NO45/M8 IPS8-S4NC45/M8	IPS8-S4NO60/M8 IPS8-S4NC60/M8	IPS8-S4NO70/M12 IPS8-S4NC70/M12	IPS8-N4NO30/A2P IPS8-N4NC30/A2P	IPS8-N4NO45/A2P IPS8-N4NC45/A2P
-	M8/3...	M8/3...	M12/3...	-	-

Inductive Proximity Switches

Output Schematics



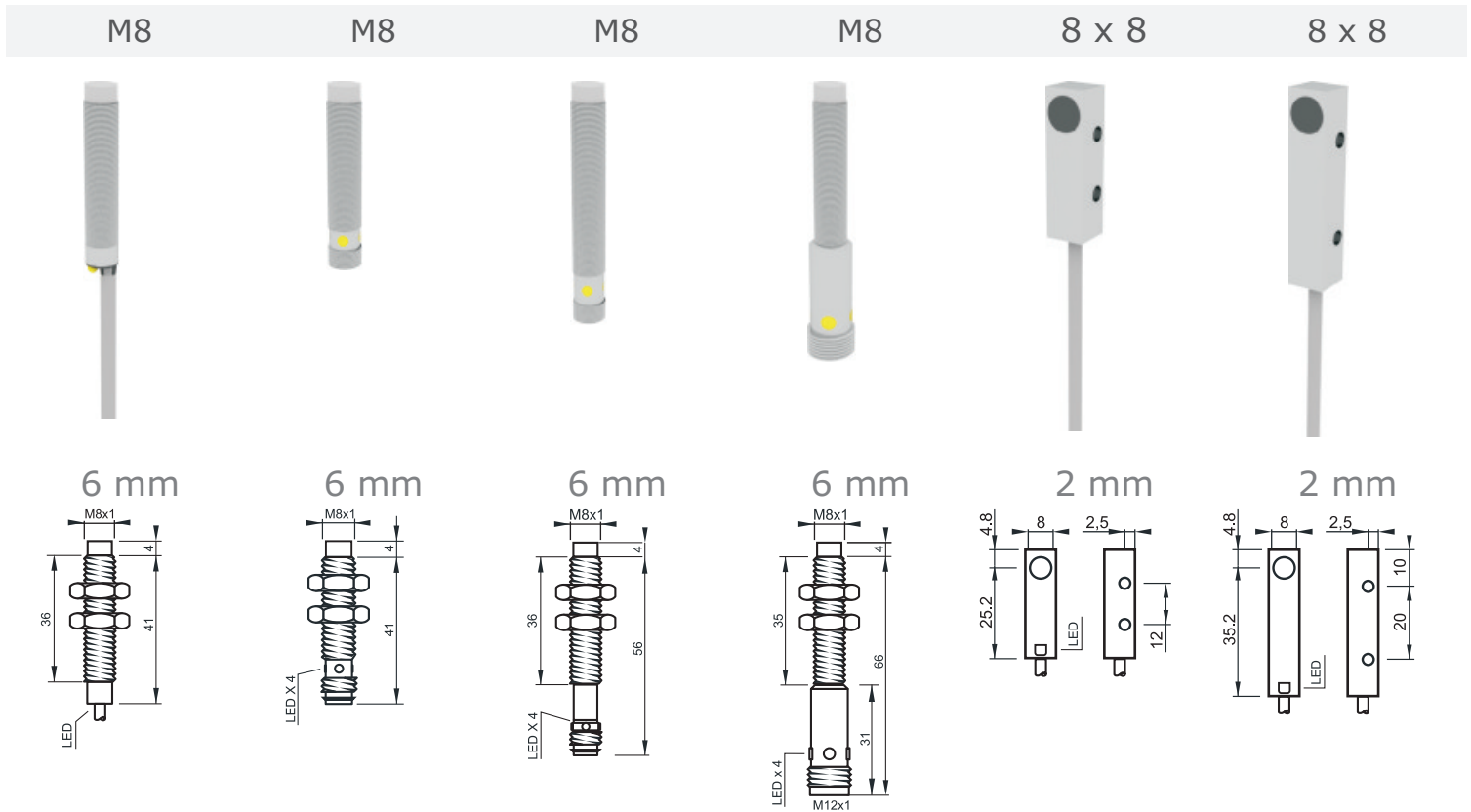
M8 M8 M8 M8



SPECIFICATIONS

	M8x1	M8x1	M8x1	M8x1
Sensing Distance	4 mm - Unshielded	4 mm - Unshielded	4 mm - Unshielded	6 mm - Unshielded
Operating Voltage	10...30 VDC, 3-wire	10...30 VDC, 3-wire	10...30 VDC, 3-wire	10...30 VDC, 3-wire
Reverse Polarity Protection	built-in	built-in	built-in	built-in
Current Consumption	< 8 mA	< 8 mA	< 8 mA	< 8 mA
Current Load Capability	200 mA	200 mA	200 mA	200 mA
Short Circuit Protection	built-in - self resetting	built-in - self resetting	built-in - self resetting	built-in - self resetting
Voltage Drop	< 1.5 V @ 200 mA	< 1.5 V @ 200 mA	< 1.5 V @ 200 mA	< 1.5 V @ 200 mA
Switching Frequency	1000 Hz	1000 Hz	1000 Hz	500 Hz
Repeatability	< 1 % (Sn)	< 1 % (Sn)	< 1 % (Sn)	< 1 % (Sn)
Hysteresis	3...15 %	3...15 %	3...15 %	3...15 %
Operating Temperature	-25...75 °C	-25...75 °C	-25...75 °C	-25...75 °C
Protection Class	IP67	IP67	IP67	IP67
Sensing Face Material	POM	POM	POM	POM
Housing Material	1.4305 / SS303	1.4305 / SS303	1.4305 / SS303	1.4305 / SS303
Connection	Connector M8, 3-pole	Connector M8, 3-pole	Connector M12, 4-pole	High-Flex PVC, 2m
Output Indicator	Integrated	Integrated	Integrated	Integrated
Article Code				
PNP - NO, 3-wire	IPS8-N4PO45/M8	IPS8-N4PO60/M8	IPS8-N4PO70/M12	IPS8-N6PO30/A2P
PNP - NC, 3-wire	IPS8-N4PC45/M8	IPS8-N4PC60/M8	IPS8-N4PC70/M12	IPS8-N6PC30/A2P
PNP - NO+NC, 4-wire				
NPN - NO, 3-wire	IPS8-N4NO45/M8	IPS8-N4NO60/M8	IPS8-N4NO70/M12	IPS8-N6NO30/A2P
NPN - NC, 3-wire	IPS8-N4NC45/M8	IPS8-N4NC60/M8	IPS8-N4NC70/M12	IPS8-N6NC30/A2P
NPN - NO+NC, 4-wire				
Recommended Connecting Cable	M8/3...	M8/3...	M12/3...	-

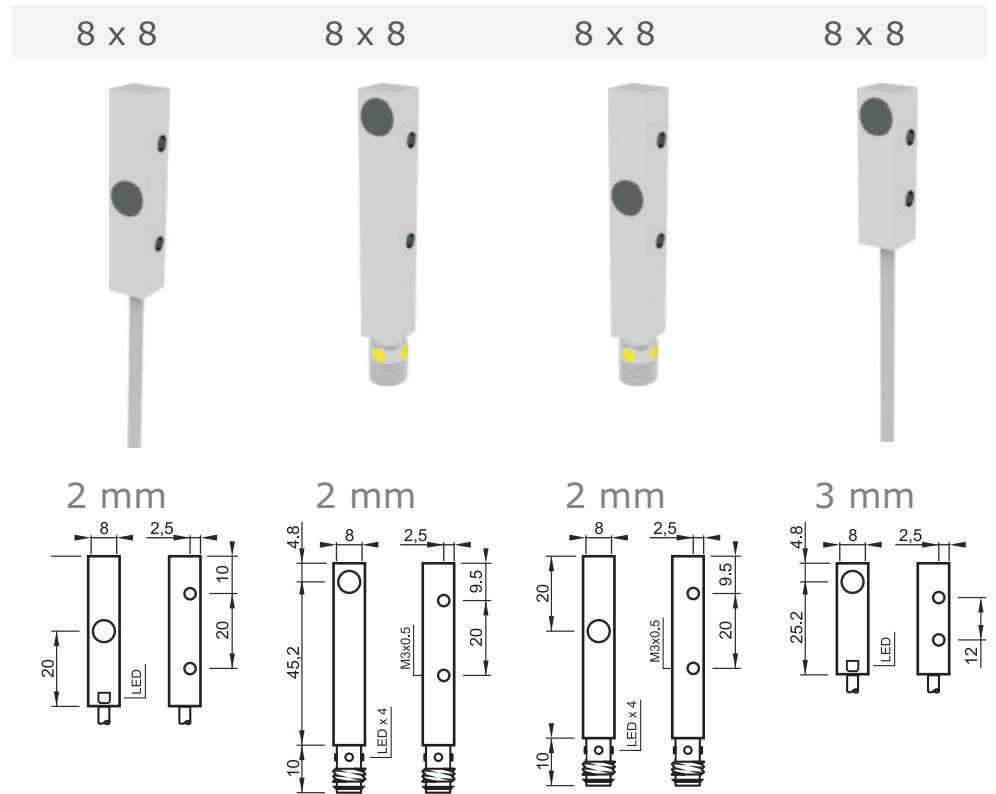
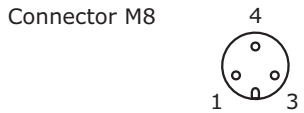
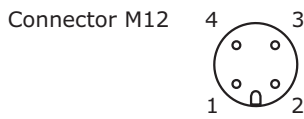
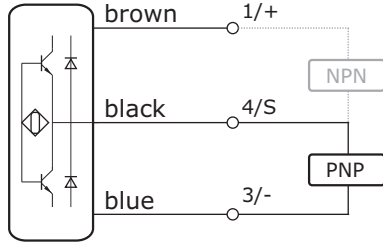
Inductive Proximity Switches



M8x1	M8x1	M8x1	M8x1	8 x 8	8 x 8
6 mm - Unshielded	6 mm - Unshielded	6 mm - Unshielded	6 mm - Unshielded	2 mm - Shielded	2 mm - Shielded
10...30 VDC, 3-wire built-in	10...30 VDC, 3-wire built-in	10...30 VDC, 3-wire built-in	10...30 VDC, 3-wire built-in	10...30 VDC, 3-wire built-in	10...30 VDC, 3-wire built-in
< 8 mA	< 8 mA	< 8 mA	< 8 mA	< 8 mA	< 8 mA
200 mA	200 mA	200 mA	200 mA	200 mA	200 mA
built-in - self resetting	built-in - self resetting	built-in - self resetting	built-in - self resetting	built-in - self resetting	built-in - self resetting
< 1.5 V @ 200 mA	< 1.5 V @ 200 mA	< 1.5 V @ 200 mA	< 1.5 V @ 200 mA	< 1.5 V @ 200 mA	< 1.5 V @ 200 mA
500 Hz	500 Hz	500 Hz	500 Hz	2000 Hz	2000 Hz
< 1 % (Sn)	< 1 % (Sn)	< 1 % (Sn)	< 1 % (Sn)	< 1 % (Sn)	< 1 % (Sn)
3...15 %	3...15 %	3...15 %	3...15 %	3...15 %	3...15 %
-25...75 °C	-25...75 °C	-25...75 °C	-25...75 °C	-25...75 °C	-25...75 °C
IP67	IP67	IP67	IP67	IP67	IP67
POM	POM	POM	POM	POM	POM
1.4305 / SS303	1.4305 / SS303	1.4305 / SS303	1.4305 / SS303	Plated Brass	Plated Brass
High-Flex PVC, 2m Integrated	Connector M8, 3-pole Integrated	Connector M8, 3-pole Integrated	Connector M12, 4-pole Integrated	High-Flex PVC, 2m Integrated	High-Flex PVC, 2m Integrated
IPS8-N6PO45/A2P IPS8-N6PC45/A2P	IPS8-N6PO45/M8 IPS8-N6PC45/M8	IPS8-N6PO60/M8 IPS8-N6PC60/M8	IPS8-N6PO70/M12 IPS8-N6PC70/M12	IPS88-S2PO30/A2P IPS88-S2PC30/A2P	IPS88-S2PO40/A2P IPS88-S2PC40/A2P
IPS8-N6NO45/A2P IPS8-N6NC45/A2P	IPS8-N6NO45/M8 IPS8-N6NC45/M8	IPS8-N6NO60/M8 IPS8-N6NC60/M8	IPS8-N6NO70/M12 IPS8-N6NC70/M12	IPS88-S2NO30/A2P IPS88-S2NC30/A2P	IPS88-S2NO40/A2P IPS88-S2NC40/A2P
-	M8/3...	M8/3...	M12/3...	-	-

Inductive Proximity Switches

Output Schematics



SPECIFICATIONS

	8 x 8	8 x 8	8 x 8	8 x 8
Sensing Distance	2 mm - Shielded	2 mm - Shielded	2 mm - Shielded	3 mm - Shielded
Operating Voltage	10...30 VDC, 3-wire	10...30 VDC, 3-wire	10...30 VDC, 3-wire	10...30 VDC, 3-wire
Reverse Polarity Protection	built-in	built-in	built-in	built-in
Current Consumption	< 8 mA	< 8 mA	< 8 mA	< 8 mA
Current Load Capability	200 mA	200 mA	200 mA	200 mA
Short Circuit Protection	built-in - self resetting	built-in - self resetting	built-in - self resetting	built-in - self resetting
Voltage Drop	< 1.5 V @ 200 mA	< 1.5 V @ 200 mA	< 1.5 V @ 200 mA	< 1.5 V @ 200 mA
Switching Frequency	2000 Hz	2000 Hz	2000 Hz	1000 Hz
Repeatability	< 1 % (Sn)	< 1 % (Sn)	< 1 % (Sn)	< 1 % (Sn)
Hysteresis	3...15 %	3...15 %	3...15 %	3...15 %
Operating Temperature	-25...75 °C	-25...75 °C	-25...75 °C	-25...75 °C
Protection Class	IP67	IP67	IP67	IP67
Sensing Face Material	POM	POM	POM	POM
Housing Material	Plated Brass	Plated Brass	Plated Brass	Plated Brass
Connection	High-Flex PVC, 2m	Connector M8, 3-pole	Connector M8, 3-pole	High-Flex PVC, 2m
Output Indicator	Integrated	Integrated	Integrated	Integrated
Article Code				
PNP - NO, 3-wire	IPS88-S2PO40C/A2P	IPS88-S2PO60/M8	IPS88-S2PO60C/M8	IPS88-S3PO30/A2P
PNP - NC, 3-wire	IPS88-S2PC40C/A2P	IPS88-S2PC60/M8	IPS88-S2PC60C/M8	IPS88-S3PC30/A2P
PNP - NO+NC, 4-wire				
NPN - NO, 3-wire	IPS88-S2NO40C/A2P	IPS88-S2NO60/M8	IPS88-S2NO60C/M8	IPS88-S3NO30/A2P
NPN - NC, 3-wire	IPS88-S2NC40C/A2P	IPS88-S2NC60/M8	IPS88-S2NC60C/M8	IPS88-S3NC30/A2P
NPN - NO+NC, 4-wire				

Recommended Connecting Cable

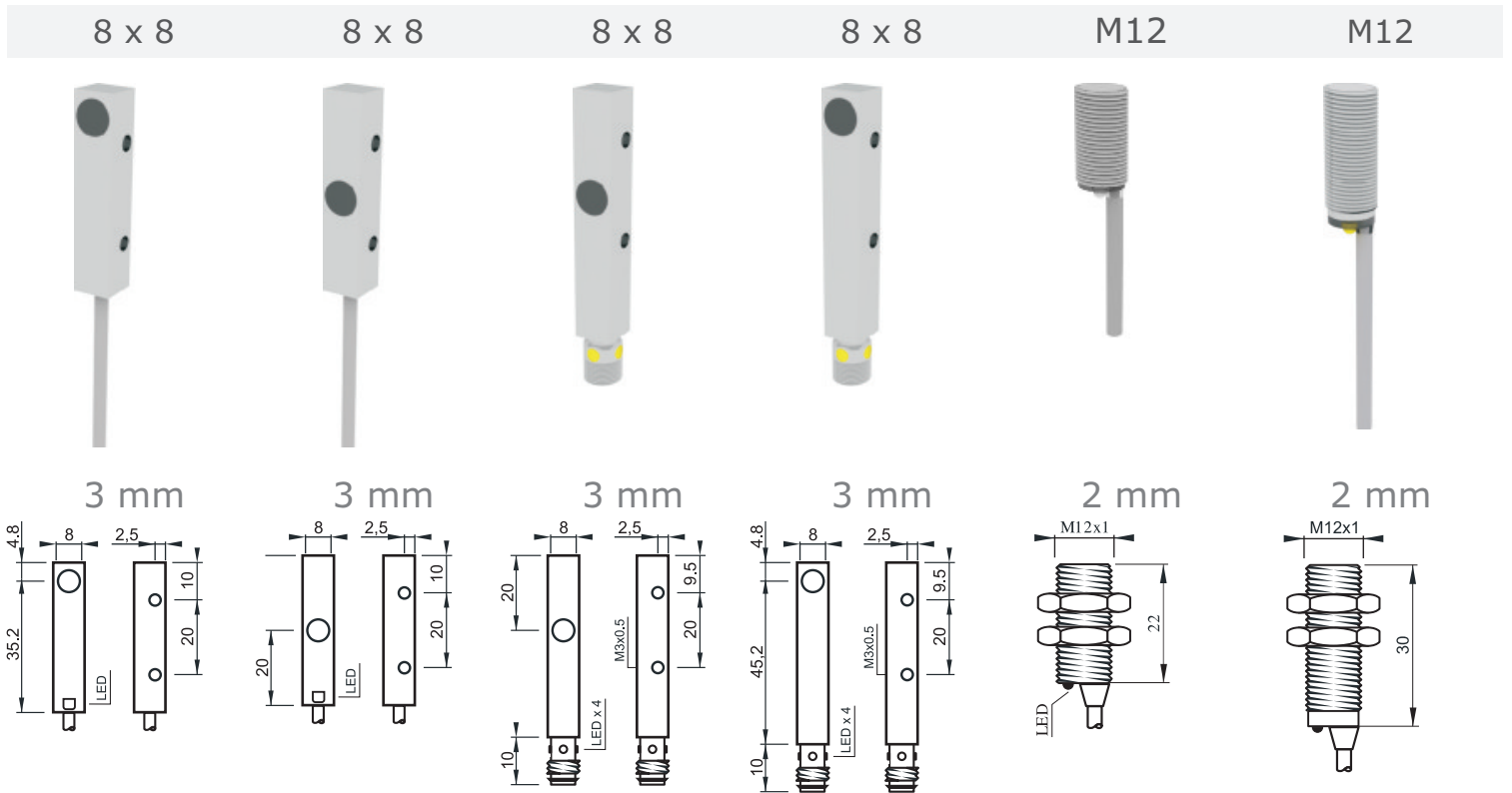
-

M8/3...

M8/3...

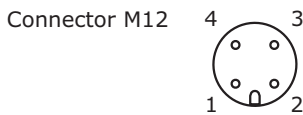
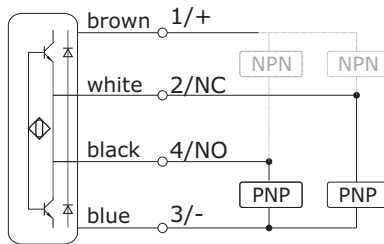
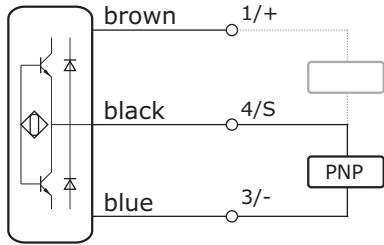
-

Inductive Proximity Switches

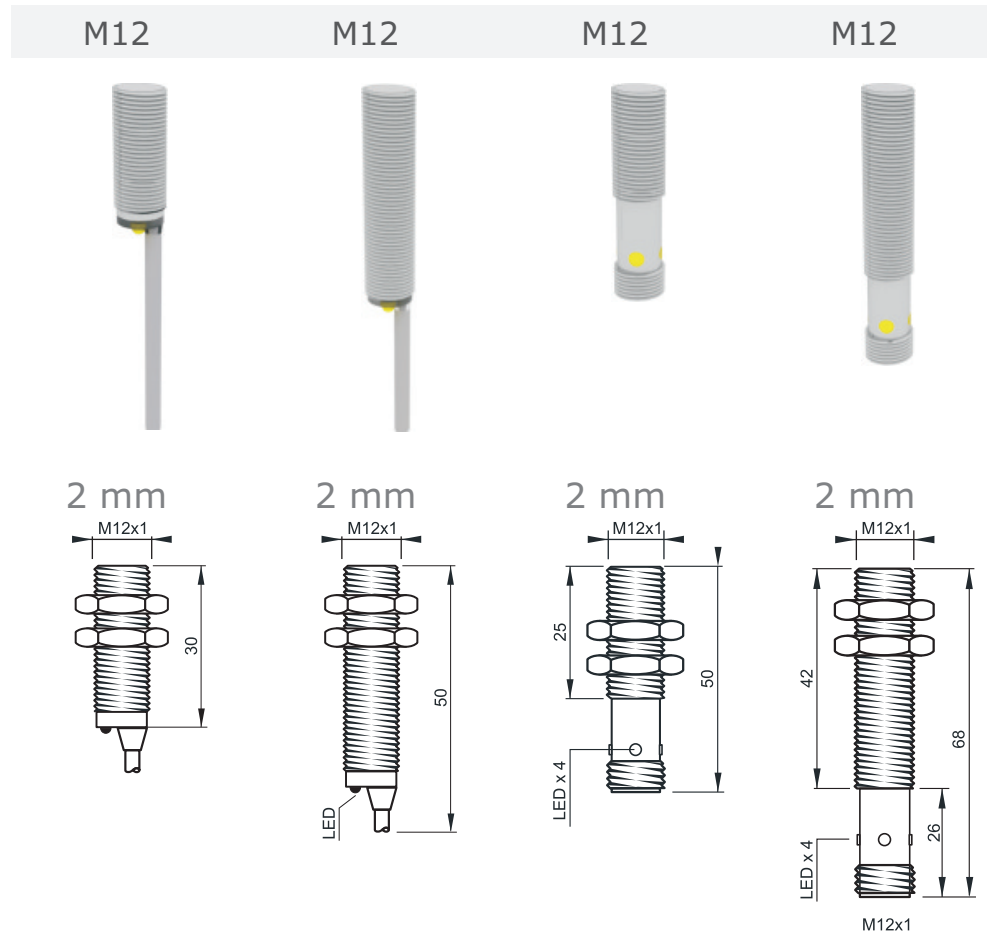


8 x 8	8 x 8	8 x 8	8 x 8	M12x1	M12x1
3 mm - Shielded	3 mm - Shielded	3 mm - Shielded	3mm - Shielded	2 mm - Shielded	2 mm - Shielded
10...30 VDC, 3-wire built-in	10...30 VDC, 3-wire built-in	10...30 VDC, 3-wire built-in	10...30 VDC,3-wire built-in	10...30 VDC, 3-wire built-in	10...30 VDC, 3-wire built-in
< 8 mA	< 8 mA	< 8 mA	< 8 mA	< 8 mA	< 8 mA
200 mA	200 mA	200 mA	200 mA	200 mA	200 mA
built-in - self resetting	built-in - self resetting	built-in - self resetting	built-in - self resetting	built-in - self resetting	built-in - self resetting
< 1.5 V @ 200 mA	< 1.5 V @ 200 mA	< 1.5 V @ 200 mA	< 1.5 V @ 200 mA	< 1.5 V @ 200 mA	< 1.5 V @ 200 mA
1000 Hz	1000 Hz	1000 Hz	1000 Hz	2000 Hz	2000 Hz
< 1 % (Sn)	< 1 % (Sn)	< 1 % (Sn)	< 1 % (Sn)	< 1 % (Sn)	< 1 % (Sn)
3...15 %	3...15 %	3...15 %	3...15 %	3...15 %	3...15 %
-25...75 °C	-25...75 °C	-25...75 °C	-25...75 °C	-25...75 °C	-25...75 °C
IP67	IP67	IP67	IP67	IP67	IP67
POM	POM	POM	POM	POM	POM
Plated Brass	Plated Brass	Plated Brass	Plated Brass	Plated Brass	Plated Brass
High-Flex PVC, 2m Integrated	High-Flex PVC, 2m Integrated	Connector M8, 3-pole Integrated	Connector M8, 3-pole Integrated	High-Flex PVC, 2m Integrated	High-Flex PVC, 2m Integrated
IPS88-S3PO40/A2P IPS88-S3PC40/A2P	IPS88-S3PO40C/A2P IPS88-S3PC40C/A2P	IPS88-S3PO60C/M8 IPS88-S3PC60C/M8	IPS88-S3PO60/M8 IPS88-S3PC60/M8	IPS12-S2PO22/A2P IPS12-S2PC22/A2P	IPS12-S2PO30/A2P IPS12-S2PC30/A2P
IPS88-S3NO40/A2P IPS88-S3NC40/A2P	IPS88-S3NO40C/A2P IPS88-S3NC40C/A2P	IPS88-S3NO60C/M8 IPS88-S3NC60C/M8	IPS88-S3NO60/M8 IPS88-S3NC60/M8	IPS12-S2NO22/A2P IPS12-S2NC30/A2P	IPS12-S2NO30/A2P IPS12-S2NC30/A2P
-	-	M8/3...	M8/3...	-	-

Output Schematics



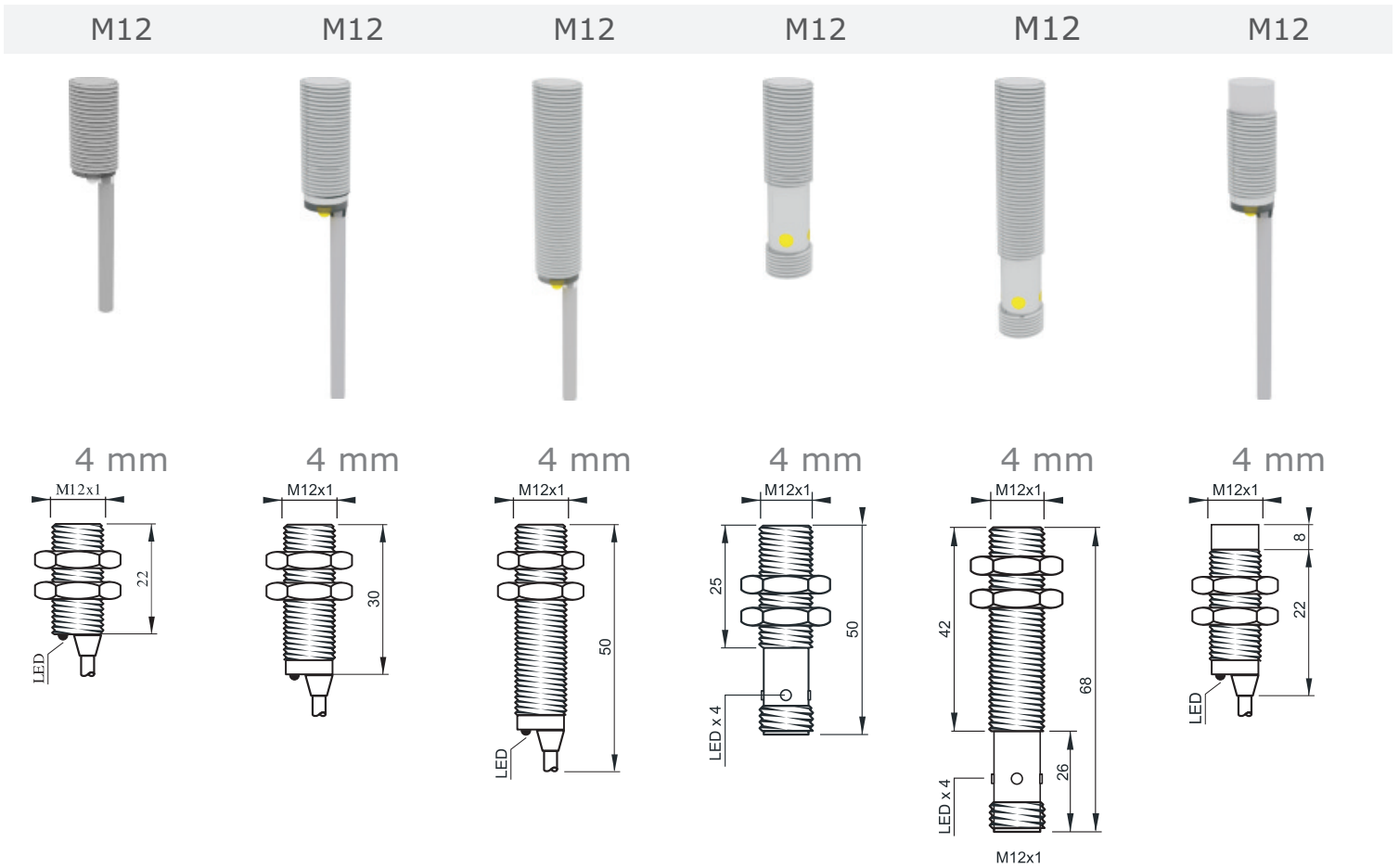
Not to be used for Safety Applications



SPECIFICATIONS

	M12x1	M12x1	M12x1	M12x1
Sensing Distance	2 mm - Shielded	2 mm - Shielded	2 mm - Shielded	2 mm - Shielded
Operating Voltage	10...30 VDC, 3-wire	10...30 VDC, 3-wire	10...30 VDC, 3-wire	10...30 VDC, 3-wire
Reverse Polarity Protection	built-in	built-in	built-in	built-in
Current Consumption	< 8 mA	< 8 mA	< 8 mA	< 8 mA
Current Load Capability	200 mA	200 mA	200 mA	200 mA
Short Circuit Protection	built-in - self resetting	built-in - self resetting	built-in - self resetting	built-in - self resetting
Voltage Drop	< 1.5 V @ 200 mA	< 1.5 V @ 200 mA	< 1.5 V @ 200 mA	< 1.5 V @ 200 mA
Switching Frequency	2000 Hz	2000 Hz	2000 Hz	2000 Hz
Repeatability	< 1 % (Sn)	< 1 % (Sn)	< 1 % (Sn)	< 1 % (Sn)
Hysteresis	3...15 %	3...15 %	3...15 %	3...15 %
Operating Temperature	-25...75 °C	-25...75 °C	-25...75 °C	-25...75 °C
Protection Class	IP67	IP67	IP67	IP67
Sensing Face Material	POM	POM	POM	POM
Housing Material	Plated Brass	Plated Brass	Plated Brass	Plated Brass
Connection	High-Flex PVC, 2m	High-Flex PVC, 2m	Connector M12, 4-pole	Connector M12, 4-pole
Output Indicator	Integrated	Integrated	Integrated	Integrated
Article Code				
PNP - NO, 3-wire	IPS12-S2PO30/A2P	IPS12-S2PO50/A2P	IPS12-S2PO50/M12	IPS12-S2PO68/M12
PNP - NC, 3-wire	IPS12-S2PC30/A2P	IPS12-S2PC50/A2P	IPS12-S2PC50/M12	IPS12-S2PC68/M12
PNP - NO+NC, 4-wire				
NPN - NO, 3-wire	IPS12-S2NO30/A2P	IPS12-S2NO50/A2P	IPS12-S2NO50/M12	IPS12-S2NO68/M12
NPN - NC, 3-wire	IPS12-S2NC30/A2P	IPS12-S2NC50/A2P	IPS12-S2NC50/M12	IPS12-S2NC68/M12
NPN - NO+NC, 4-wire				
10...55 VDC - NO, 2-wire		IPS12-S2DO50/A2P		IPS12-S2DO68/M12
10...55 VDC - NC, 2-wire		IPS12-S2DC50/A2P		IPS12-S2DC68/M12
Recommended Connecting Cable	-	-	M12/3...	M12/3...

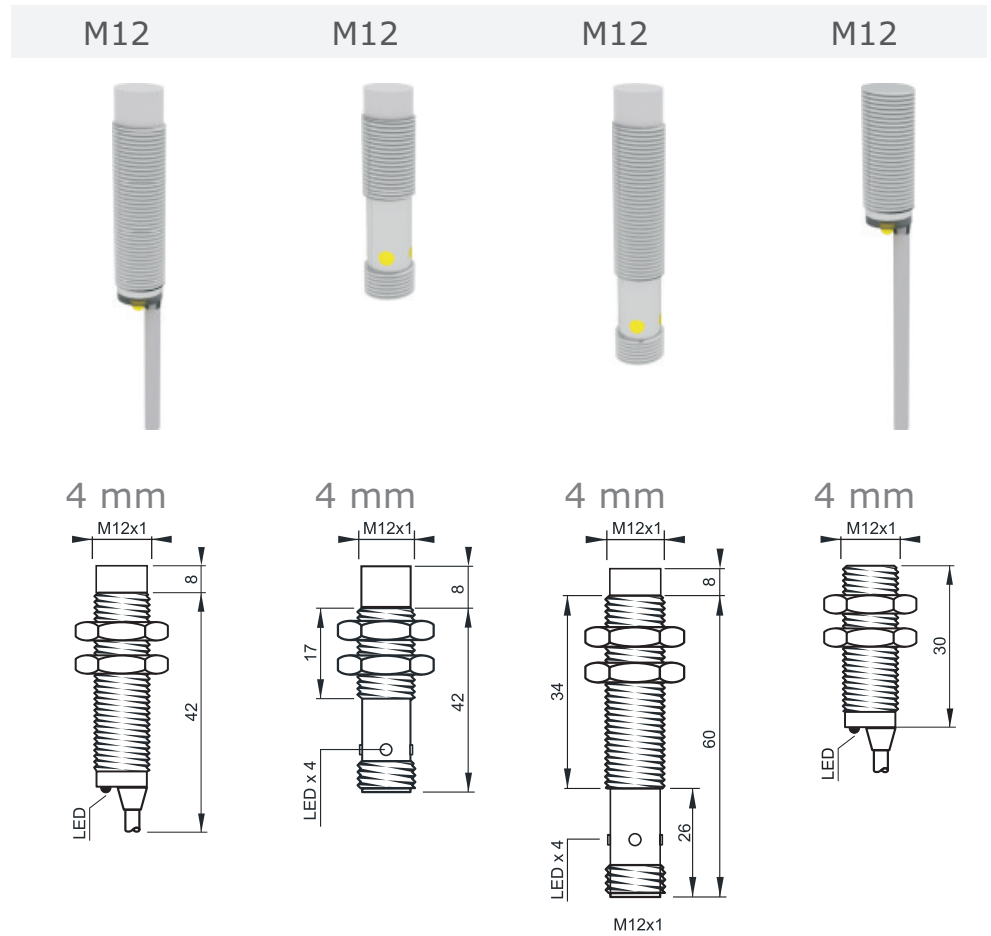
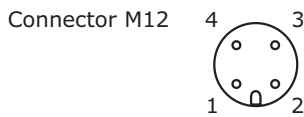
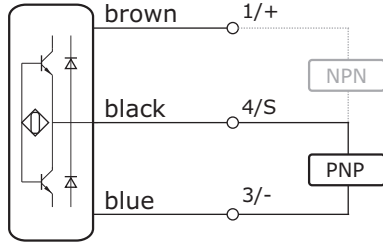
Inductive Proximity Switches



M12x1	M12x1	M12x1	M12x1	M12x1	M12x1
4 mm - Shielded	4 mm - Shielded	4 mm - Shielded	4 mm - Shielded	4 mm - Shielded	4 mm - Unshielded
10...30 VDC, 3-wire built-in	10...30 VDC, 3-wire built-in	10...30 VDC, 3-wire built-in	10...30 VDC, 3-wire built-in	10...30 VDC, 3-wire built-in	10...30 VDC, 3-wire built-in
< 8 mA	< 8 mA	< 8 mA	< 8 mA	< 8 mA	< 8 mA
200 mA	200 mA	200 mA	200 mA	200 mA	200 mA
built-in - self resetting	built-in - self resetting	built-in - self resetting	built-in - self resetting	built-in - self resetting	built-in - self resetting
< 1.5 V @ 200 mA	< 1.5 V @ 200 mA	< 1.5 V @ 200 mA	< 1.5 V @ 200 mA	< 1.5 V @ 200 mA	< 1.5 V @ 200 mA
1000 Hz	1000 Hz	1000 Hz	1000 Hz	1000 Hz	1000 Hz
< 1 % (Sn)	< 1 % (Sn)	< 1 % (Sn)	< 1 % (Sn)	< 1 % (Sn)	< 1 % (Sn)
3...15 %	3...15 %	3...15 %	3...15 %	3...15 %	3...15 %
-25...75 °C	-25...75 °C	-25...75 °C	-25...75 °C	-25...75 °C	-25...75 °C
IP67	IP67	IP67	IP67	IP67	IP67
POM	POM	POM	POM	POM	POM
Plated Brass	Plated Brass	Plated Brass	Plated Brass	Plated Brass	Plated Brass
High-Flex PVC, 2m Integrated	High-Flex PVC, 2m Integrated	High-Flex PVC, 2m Integrated	Connector M12, 4-pole Integrated	Connector M12, 4-pole Integrated	High-Flex PVC, 2m Integrated
IPS12-S4PO22/A2P IPS12-S4PC22/A2P	IPS12-S4PO30/A2P IPS12-S4PC30/A2P IPS12-S4PCO30/A2P	IPS12-S4PO50/A2P IPS12-S4PC50/A2P IPS12-S4PCO50/A2P	IPS12-S4PO50/M12 IPS12-S4PC50/M12 IPS12-S4PCO50/M12	IPS12-S4PO68/M12 IPS12-S4PC68/M12 IPS12-S4PCO68/M12	IPS12-N4PO30/A2P IPS12-N4PC30/A2P
IPS12-S4NO22/A2P IPS12-S4NC22/A2P	IPS12-S4NO30/A2P IPS12-S4NC30/A2P IPS12-S4NCO30/A2P	IPS12-S4NO50/A2P IPS12-S4NC50/A2P IPS12-S4NCO50/A2P IPS12-S4DO50/A2P IPS12-S4DC50/A2P	IPS12-S4NO50/M12 IPS12-S4NC50/M12 IPS12-S4NCO50/M12	IPS12-S4NO68/M12 IPS12-S4NC68/M12 IPS12-S4NCO68/M12 IPS12-S4DO68/M12 IPS12-S4DC68/M12	IPS12-N4NO30/A2P IPS12-N4NCO30/A2P
-	-	-	M12/3... / M12/4...	M12/3... / M12/4...	-

Inductive Proximity Switches

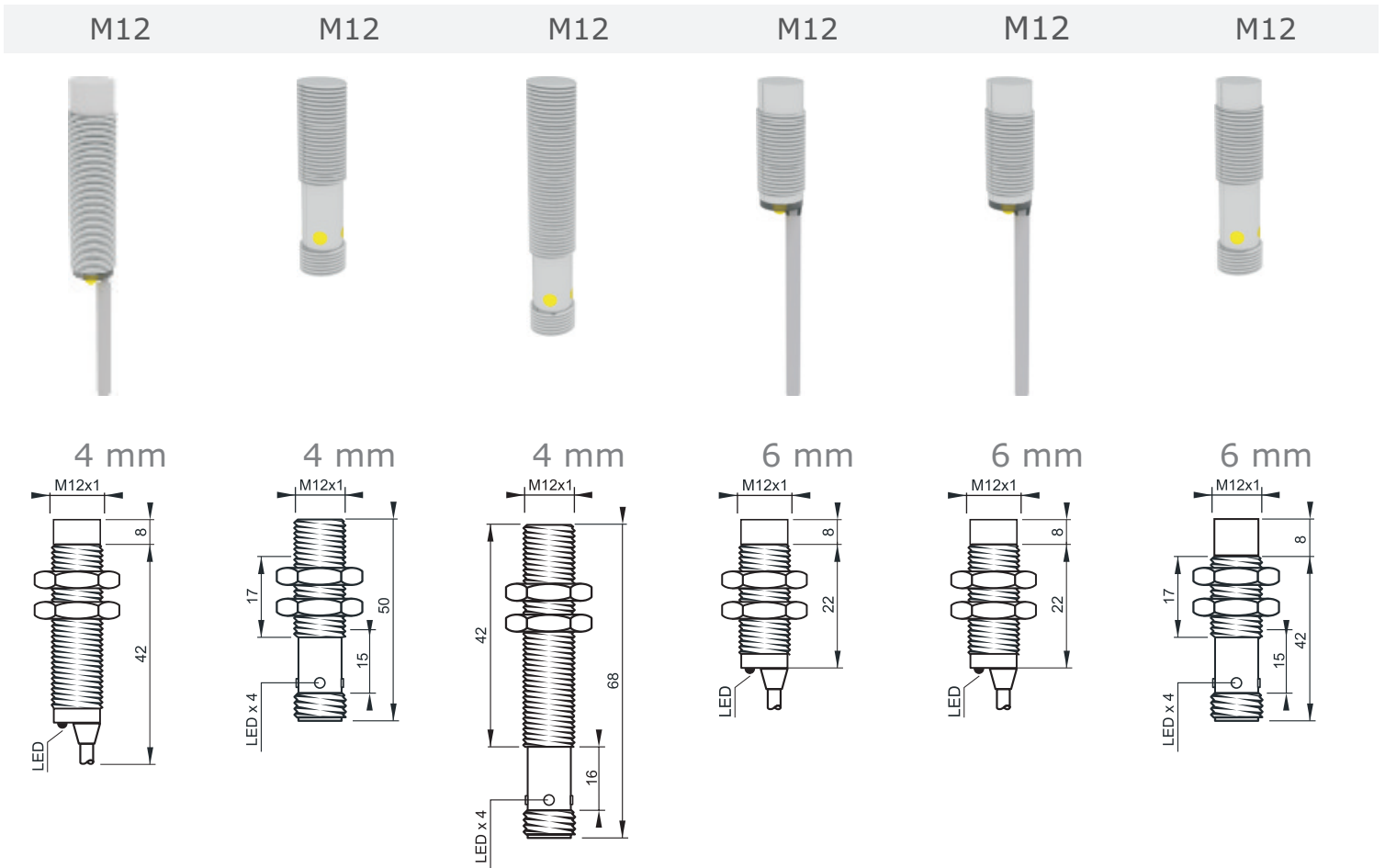
Output Schematics



SPECIFICATIONS

	M12x1	M12x1	M12x1	M12 Metal Face
Sensing Distance	4 mm - Unshielded	4 mm - Unshielded	4 mm - Unshielded	4 mm - Shielded
Operating Voltage	10...30 VDC, 3-wire	10...30 VDC, 3-wire	10...30 VDC, 3-wire	10...30 VDC, 3-wire
Reverse Polarity Protection	built-in	built-in	built-in	built-in
Current Consumption	< 8 mA	< 8 mA	< 8 mA	< 8 mA
Current Load Capability	200 mA	200 mA	200 mA	200 mA
Short Circuit Protection	built-in - self resetting	built-in - self resetting	built-in - self resetting	built-in - self resetting
Voltage Drop	< 1.5 V @ 200 mA	< 1.5 V @ 200 mA	< 1.5 V @ 200 mA	< 1.5 V @ 200 mA
Switching Frequency	1000 Hz	1000 Hz	1000 Hz	1000 Hz
Repeatability	< 1 % (Sn)	< 1 % (Sn)	< 1 % (Sn)	< 1 % (Sn)
Hysteresis	3...15 %	3...15 %	3...15 %	3...15 %
Operating Temperature	-25...75 °C	-25...75 °C	-25...75 °C	-25...75 °C
Protection Class	IP67	IP67	IP67	IP69k, Conn. IP67
Sensing Face Material	POM	POM	POM	1.4305 / SS303
Housing Material	Plated Brass	Plated Brass	Plated Brass	1.4305 / SS303
Connection	High-Flex PVC, 2m	Connector M12, 4-pole	Connector M12, 4-pole	High-Flex PVC, 2m
Output Indicator	Integrated	Integrated	Integrated	Integrated
Article Code				
PNP - NO, 3-wire	IPS12-N4PO50/A2P	IPS12-N4PO50/M12	IPS12-N4PO68/M12	IMF12-S4PO30/A2P
PNP - NC, 3-wire	IPS12-N4PC50/A2P	IPS12-N4PC50/M12	IPS12-N4PC68/M12	IMF12-S4PC30/A2P
PNP - NO+NC, 4-wire				
NPN - NO, 3-wire	IPS12-N4NO50/A2P	IPS12-N4NO50/M12	IPS12-N4NO68/M12	IMF12-S4NO30/A2P
NPN - NC, 3-wire	IPS12-N4NC50/A2P	IPS12-N4NC50/M12	IPS12-N4NC68/M12	IMF12-S4NC30/A2P
NPN - NO+NC, 4-wire				
10...55 VDC - NO, 2-wire	IPS12-N4DO50/A2P		IPS12-N4DO68/M12	
10...55 VDC - NC, 2-wire	IPS12-N4DC50/A2P		IPS12-N4DC68/M12	
Recommended Connecting Cable	-	M12/3...	M12/3...	-

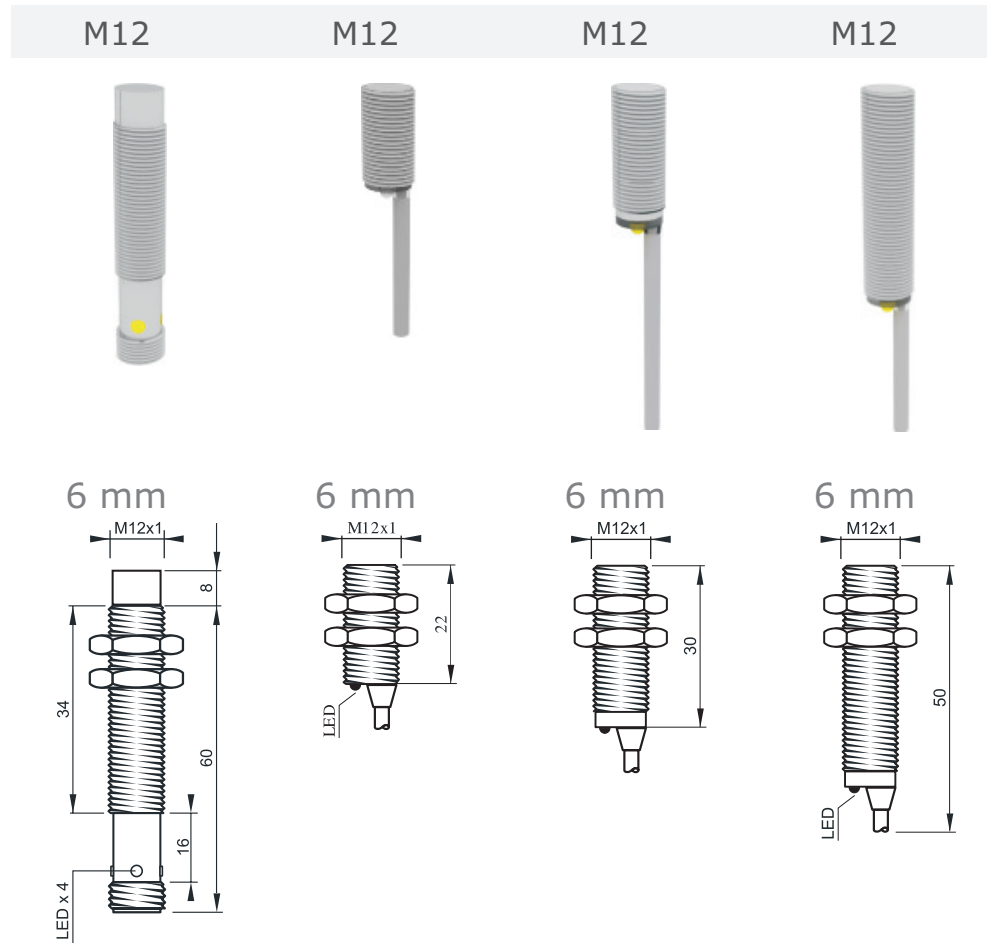
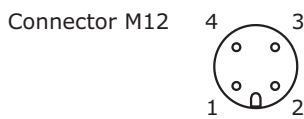
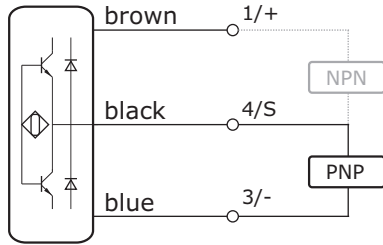
Inductive Proximity Switches



M12 Metal Face	M12 Metal Face	M12 Metal Face	M12 Metal Face	M12 Metal Face	M12 Metal Face
4 mm - Shielded	4 mm - Shielded	4 mm - Shielded	6 mm - Unshielded	6 mm - Unshielded	6 mm - Unshielded
10...30 VDC, 3-wire built-in < 8 mA 200 mA built-in - self resetting < 1.5 V @ 200 mA 1000 Hz < 1 % (Sn) 3...15 % -25...75 °C IP69k, Conn. IP67 1.4305 / SS303 1.4305 / SS303 High-Flex PVC, 2m Integrated	10...30 VDC, 3-wire built-in < 8 mA 200 mA built-in - self resetting < 1.5 V @ 200 mA 1000 Hz < 1 % (Sn) 3...15 % -25...75 °C IP69k, Conn. IP67 1.4305 / SS303 1.4305 / SS303 Connector M12, 4-pole Integrated	10...30 VDC, 3-wire built-in < 8 mA 200 mA built-in - self resetting < 1.5 V @ 200 mA 1000 Hz < 1 % (Sn) 3...15 % -25...75 °C IP69k, Conn. IP67 1.4305 / SS303 1.4305 / SS303 Connector M12, 4-pole Integrated	10...30 VDC, 3-wire built-in < 8 mA 200 mA built-in - self resetting < 1.5 V @ 200 mA 1000 Hz < 1 % (Sn) 3...15 % -25...75 °C IP69k, Conn. IP67 1.4305 / SS303 1.4305 / SS303 High-Flex PVC, 2m Integrated	10...30 VDC, 3-wire built-in < 8 mA 200 mA built-in - self resetting < 1.5 V @ 200 mA 1000 Hz < 1 % (Sn) 3...15 % -25...75 °C IP69k, Conn. IP67 1.4305 / SS303 1.4305 / SS303 High-Flex PVC, 2m Integrated	10...30 VDC, 3-wire built-in < 8 mA 200 mA built-in - self resetting < 1.5 V @ 200 mA 1000 Hz < 1 % (Sn) 3...15 % -25...75 °C IP69k, Conn. IP67 1.4305 / SS303 1.4305 / SS303 Connector M12, 4-pole Integrated
IMF12-S4PO50/A2P IMF12-S4PC50/A2P	IMF12-S4PO50/M12 IMF12-S4PC50/M12	IMF12-S4PO68/M12 IMF12-S4PC68/M12	IMF12-N6PO30/A2P IMF12-N6PC30/A2P	IMF12-N6PO50/A2P IMF12-N6PC50/A2P	IMF12-N6PO50/M12 IMF12-N6PC50/M12
IMF12-S4NO50/A2P IMF12-S4NC50/A2P	IMF12-S4NO50/M12 IMF12-S4NC50/M12	IMF12-S4NO68/M12 IMF12-S4NC68/M12	IMF12-N6NO30/A2P IMF12-N6NC30/A2P	IMF12-N6NO50/A2P IMF12-N6NC50/A2P	IMF12-N6NO50/M12 IMF12-N6NC50/M12
-	M12/3...	M12/3...	-	-	M12/3...

Inductive Proximity Switches

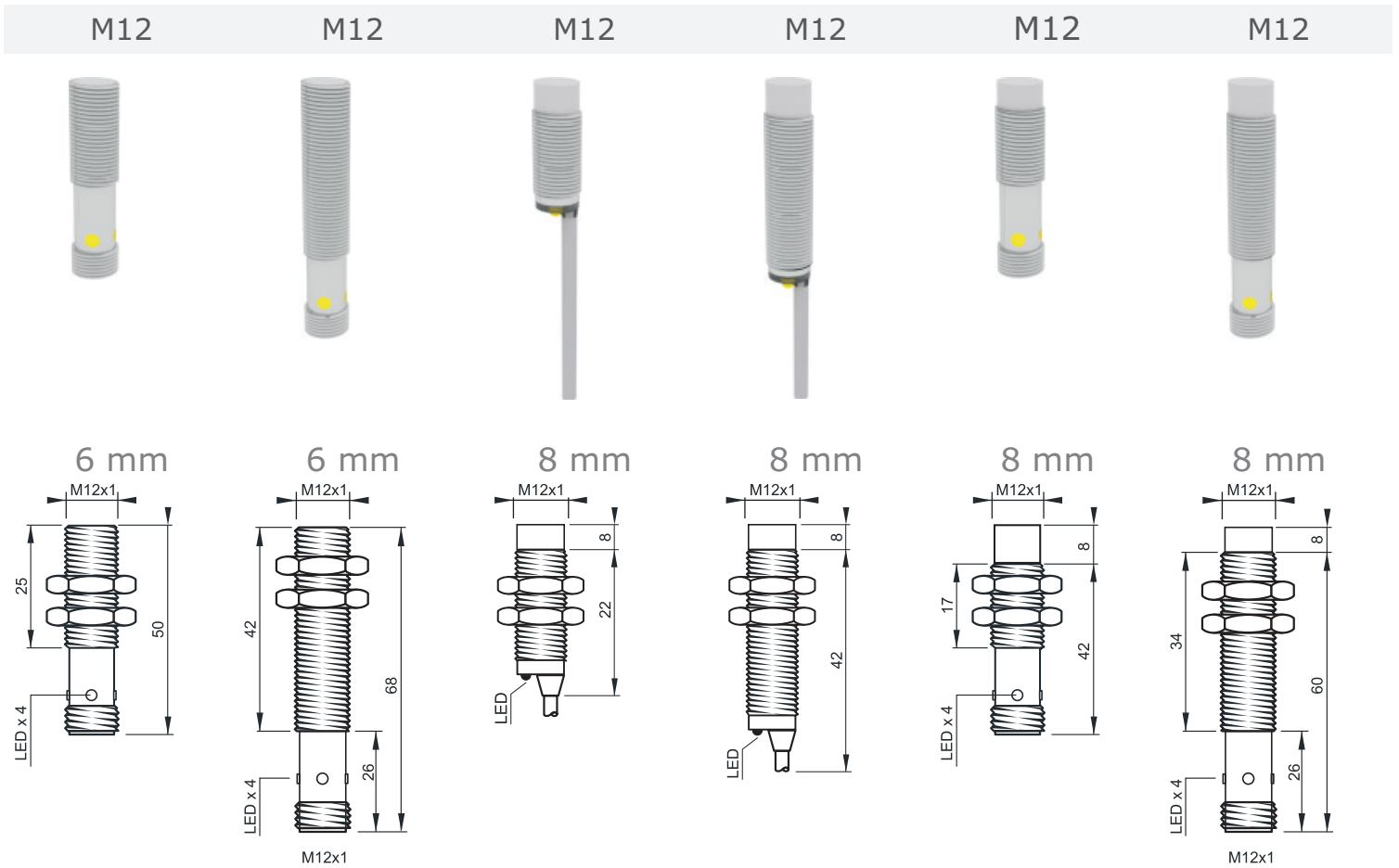
Output Schematics



SPECIFICATIONS

	M12 Metal Face	M12x1	M12x1	M12x1
Sensing Distance	6 mm - Unshielded	6 mm - Shielded	6 mm - Shielded	6 mm - Shielded
Operating Voltage	10...30 VDC, 3-wire	10...30 VDC, 3-wire	10...30 VDC, 3-wire	10...30 VDC, 3-wire
Reverse Polarity Protection	built-in	built-in	built-in	built-in
Current Consumption	< 8 mA	< 8 mA	< 8 mA	< 8 mA
Current Load Capability	200 mA	200 mA	200 mA	200 mA
Short Circuit Protection	built-in - self resetting	built-in - self resetting	built-in - self resetting	built-in - self resetting
Voltage Drop	< 1.5 V @ 200 mA	< 1.5 V @ 200 mA	< 1.5 V @ 200 mA	< 1.5 V @ 200 mA
Switching Frequency	800 Hz	800 Hz	800 Hz	800 Hz
Repeatability	< 1 % (Sn)	< 1 % (Sn)	< 1 % (Sn)	< 1 % (Sn)
Hysteresis	3...15 %	3...15 %	3...15 %	3...15 %
Operating Temperature	-25...75 °C	-25...75 °C	-25...75 °C	-25...75 °C
Protection Class	IP69k, Conn. IP67	IP67	IP67	IP67
Sensing Face Material	1.4305 / SS303	POM	POM	POM
Housing Material	1.4305 / SS303	Plated Brass	Plated Brass	Plated Brass
Connection	Connector M12, 4-pole	High-Flex PVC, 2m	High-Flex PVC, 2m	High-Flex PVC, 2m
Output Indicator	Integrated	Integrated	Integrated	Integrated
Article Code				
PNP - NO, 3-wire	IMF12-N6PO68/M12	IPS12-S6PO22/A2P	IPS12-S6PO30/A2P	IPS12-S6PO50/A2P
PNP - NC, 3-wire	IMF12-N6PC68/M12	IPS12-S6PC22/A2P	IPS12-S6PC30/A2P	IPS12-S6PC50/A2P
PNP - NO+NC, 4-wire				
NPN - NO, 3-wire	IMF12-N6NO68/M12	IPS12-S6NO22/A2P	IPS12-S6NO30/A2P	IPS12-S6NO50/A2P
NPN - NC, 3-wire	IMF12-N6NC68/M12	IPS12-S6NC30/A2P	IPS12-S6NC30/A2P	IPS12-S6NC50/A2P
NPN - NO+NC, 4-wire				
10...55 VDC - NO, 2-wire				
10...55 VDC - NC, 2-wire				
Recommended Connecting Cable	M12/3...	-	-	-

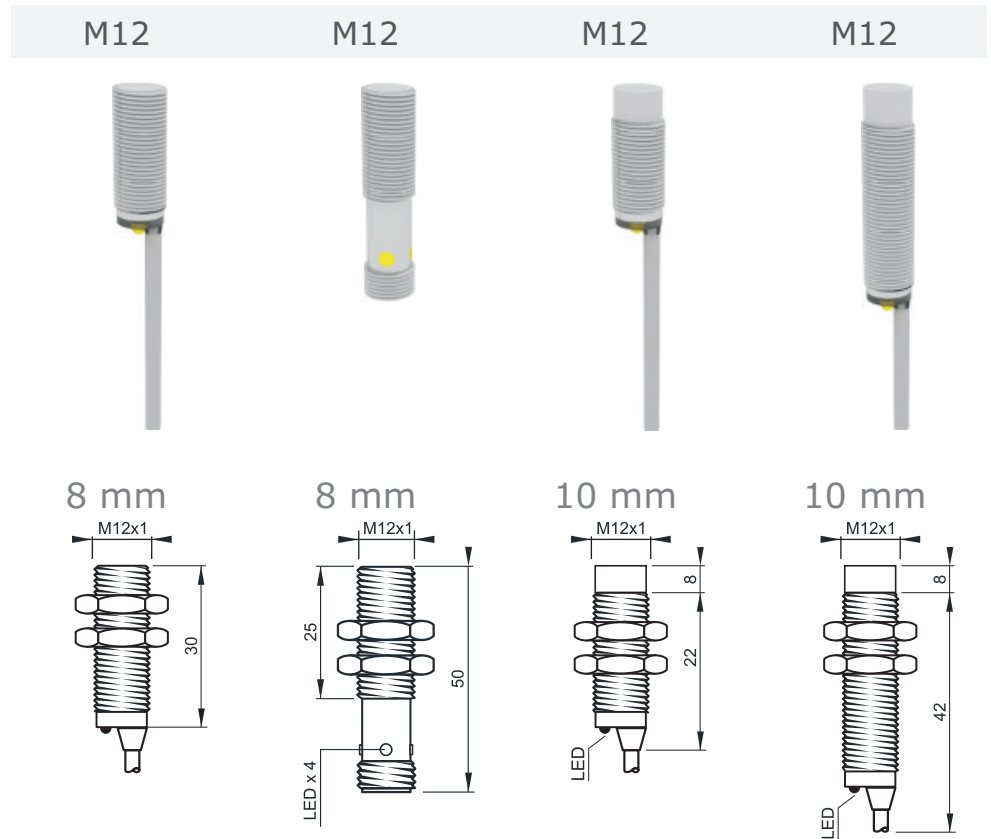
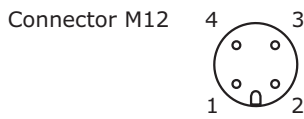
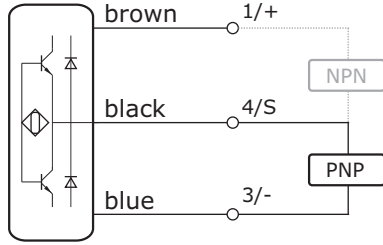
Inductive Proximity Switches



M12x1	M12x1	M12x1	M12x1	M12x1	M12x1
6 mm - Shielded	6 mm - Shielded	8 mm - Unshielded	8 mm - Unshielded	8 mm - Unshielded	8 mm - Unshielded
10...30 VDC, 3-wire built-in	10...30 VDC, 3-wire built-in	10...30 VDC, 3-wire built-in	10...30 VDC, 3-wire built-in	10...30 VDC, 3-wire built-in	10...30 VDC, 3-wire built-in
< 8 mA	< 8 mA	< 8 mA	< 8 mA	< 8 mA	< 8 mA
200 mA	200 mA	200 mA	200 mA	200 mA	200 mA
built-in - self resetting	built-in - self resetting	built-in - self resetting	built-in - self resetting	built-in - self resetting	built-in - self resetting
< 1.5 V @ 200 mA	< 1.5 V @ 200 mA	< 1.5 V @ 200 mA	< 1.5 V @ 200 mA	< 1.5 V @ 200 mA	< 1.5 V @ 200 mA
800 Hz	800 Hz	500 Hz	500 Hz	500 Hz	500 Hz
< 1 % (Sn)	< 1 % (Sn)	< 1 % (Sn)	< 1 % (Sn)	< 1 % (Sn)	< 1 % (Sn)
3...15 %	3...15 %	3...15 %	3...15 %	3...15 %	3...15 %
-25...75 °C	-25...75 °C	-25...75 °C	-25...75 °C	-25...75 °C	-25...75 °C
IP67	IP67	IP67	IP67	IP67	IP67
POM	POM	POM	POM	POM	POM
Plated Brass	Plated Brass	Plated Brass	Plated Brass	Plated Brass	Plated Brass
Connector M12, 4-pole Integrated	Connector M12, 4-pole Integrated	High-Flex PVC, 2m Integrated	High-Flex PVC, 2m Integrated	Connector M12, 4-pole Integrated	Connector M12, 4-pole Integrated
IPS12-S6PO50/M12 IPS12-S6PC50/M12	IPS12-S6PO68/M12 IPS12-S6PC68/M12	IPS12-N8PO30/A2P IPS12-N8PC30/A2P	IPS12-N8PO50/A2P IPS12-N8PC50/A2P	IPS12-N8PO50/M12 IPS12-N8PC50/M12	IPS12-N8PO68/M12 IPS12-N8PC68/M12
IPS12-S6NO50M12 IPS12-S6NC50M12	IPS12-S6NO68/M12 IPS12-S6NC68/M12	IPS12-N8NO30/A2P IPS12-N8NC30/A2P	IPS12-N8NO50/A2P IPS12-N8NC50/A2P	IPS12-N8NO50/M12 IPS12-N8NC50/M12	IPS12-N8NO68/M12 IPS12-N8NC68/M12
M12/3...	M12/3...	-	-	M12/3...	IPS12-N8DO68/M12 IPS12-N8DC68/M12 M12/3...

Inductive Proximity Switches

Output Schematics

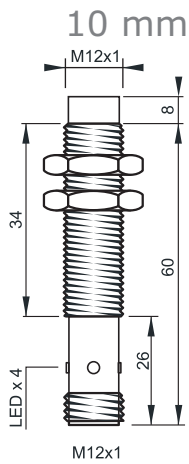
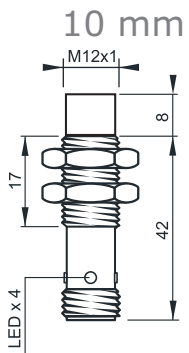


SPECIFICATIONS

	M12x1	M12x1	M12x1	M12x1
Sensing Distance	8 mm - Shielded	8 mm - Shielded	10 mm - Unshielded	10 mm - Unshielded
Operating Voltage	10...30 VDC, 3-wire	10...30 VDC, 3-wire	10...30 VDC, 3-wire	10...30 VDC, 3-wire
Reverse Polarity Protection	built-in	built-in	built-in	built-in
Current Consumption	< 8 mA	< 8 mA	< 8 mA	< 8 mA
Current Load Capability	200 mA	200 mA	200 mA	200 mA
Short Circuit Protection	built-in - self resetting	built-in - self resetting	built-in - self resetting	built-in - self resetting
Voltage Drop	< 1.5 V @ 200 mA	< 1.5 V @ 200 mA	< 1.5 V @ 200 mA	< 1.5 V @ 200 mA
Switching Frequency	500 Hz	500 Hz	400 Hz	400 Hz
Repeatability	< 1 % (Sn)	< 1 % (Sn)	< 1 % (Sn)	< 1 % (Sn)
Hysteresis	3...15 %	3...15 %	3...15 %	3...15 %
Operating Temperature	-25...75 °C	-25...75 °C	-25...75 °C	-25...75 °C
Protection Class	IP67	IP67	IP67	IP67
Sensing Face Material	POM	POM	POM	POM
Housing Material	Plated Brass	Plated Brass	Plated Brass	Plated Brass
Connection	High-Flex PVC, 2m	Connector M12, 4-pole	High-Flex PVC, 2m	High-Flex PVC, 2m
Output Indicator	Integrated	Integrated	Integrated	Integrated
Article Code				
PNP - NO, 3-wire	IPS12-S8PO30/A2P	IPS12-S8PO50/M12	IPS12-N10PO30/A2P	IPS12-N10PO50/A2P
PNP - NC, 3-wire	IPS12-S8PC30/A2P	IPS12-S8PC50/M12	IPS12-N10PC30/A2P	IPS12-N10PC50/A2P
PNP - NO+NC, 4-wire				
NPN - NO, 3-wire	IPS12-S8NO30/A2P	IPS12-S8NO50/M12	IPS12-N10NO30/A2P	IPS12-N10NO50/A2P
NPN - NC, 3-wire	IPS12-S8NC30/A2P	IPS12-S8NC50/M12	IPS12-N10NC30/A2P	IPS12-N10NC50/A2P
NPN - NO+NC, 4-wire				
10...55 VDC - NO, 2-wire				
10...55 VDC - NC, 2-wire				
Recommended Connecting Cable	-	M12/3...	-	-

Inductive Proximity Switches

M12	M12	M18	M18	M18	M18
-----	-----	-----	-----	-----	-----



M12x1	M12x1	M18x1	M18x1	M18x1	M18x1
10 mm - Unshielded	10 mm - Unshielded				
10...30 VDC, 3-wire built-in < 8 mA 200 mA built-in - self resetting < 1.5 V @ 200 mA 400 Hz < 1 % (Sn) 3...15 % -25...75 °C IP67 POM Plated Brass Connector M12, 4-pole Integrated	10...30 VDC, 3-wire built-in < 8 mA 200 mA built-in - self resetting < 1.5 V @ 200 mA 400 Hz < 1 % (Sn) 3...15 % -25...75 °C IP67 POM Plated Brass Connector M12, 4-pole Integrated				
IPS12-N10PO50/M12 IPS12-N10PC50/M12	IPS12-N10PO68/M12 IPS12-N10PC68/M12				
IPS12-N10NO50/M12 IPS12-N10NC50/M12	IPS12-N10NO68/M12 IPS12-N10NC68/M12				
M12/3...	M12/3...				