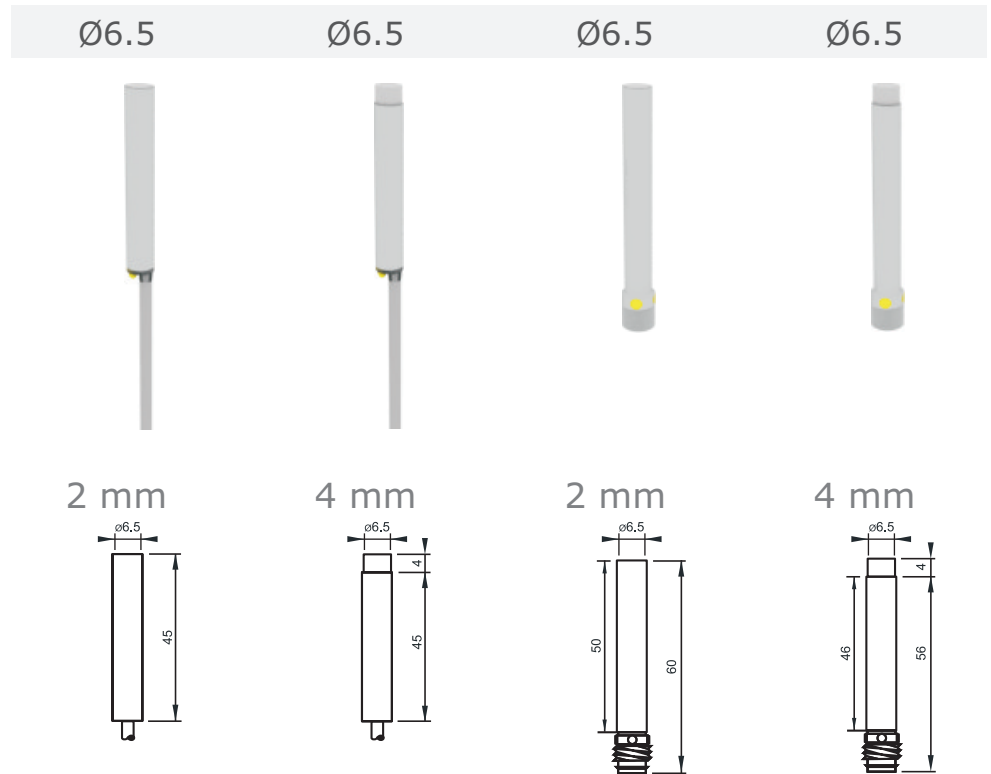
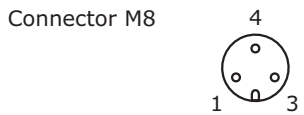
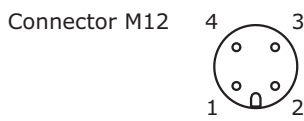
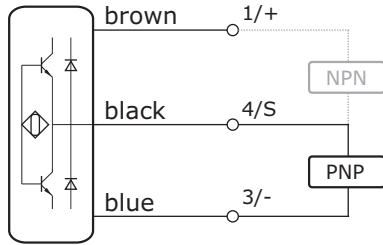


Output Schematics



SPECIFICATIONS

	Ø 6.5	Ø 6.5	Ø 6.5	Ø 6.5
Sensing Distance (Sn)	2 mm - shielded	4 mm - unshielded	2 mm - shielded	4 mm - unshielded
Operating Voltage	10...30 VDC, 3-wire	10...30 VDC, 3-wire	10...30 VDC, 3-wire	10...30 VDC, 3-wire
Reverse Polarity Protection	built-in	built-in	built-in	built-in
Current Consumption	< 9 mA	< 9 mA	< 9 mA	< 9 mA
Current Load Capability	200 mA	200 mA	200 mA	200 mA
Short Circuit Protection	built-in - self resetting	built-in - self resetting	built-in - self resetting	built-in - self resetting
Voltage Drop	< 1.5 V @ 200 mA	< 1.5 V @ 200 mA	< 1.5 V @ 200 mA	< 1.5 V @ 200 mA
Adjustment	-	-	-	-
Switching Frequency	100 Hz	100 Hz	100 Hz	100 Hz
Repeatability	< 4 %	< 4 %	< 4 %	< 4 %
Hysteresis	3...15 %	3...15 %	3...15 %	3...15 %
Operating Temperature	-25...+70 °C	-25...+70 °C	-25...+70 °C	-25...+70 °C
Temperature Drift	< 10 % (Sn)	< 10 % (Sn)	< 10 % (Sn)	< 10 % (Sn)
Protection Class	IP 67	IP 67	IP 67	IP 67
Housing Material	Plated Brass	Plated Brass	Plated Brass	Plated Brass
Connection	High-Flex PVC, 2m	High-Flex PVC, 2m	Connector M8, 3-pole	Connector M8, 3-pole
Output Indicator	Integrated	Integrated	Integrated	Integrated
Article Code				
PNP, NO	CSD6-S2PO45/A2P	CSD6-N4PO45/A2P	CSD6-S2PO60/M8	CSD6-N4PO60/M8
PNP, NC	CSD6-S2PC45/A2P	CSD6-N4PC45/A2P	CSD6-S2PC60/M8	CSD6-N4PC60/M8
NPN, NO	CSD6-S2NO45/A2P	CSD6-N4NO45/A2P	CSD6-S2NO60/M8	CSD6-N4NO60/M8
NPN, NC	CSD6-S2NC45/A2P	CSD6-N4NC45/A2P	CSD6-S2NC60/M8	CSD6-N4NC60/M8

Recommended Connecting Cable

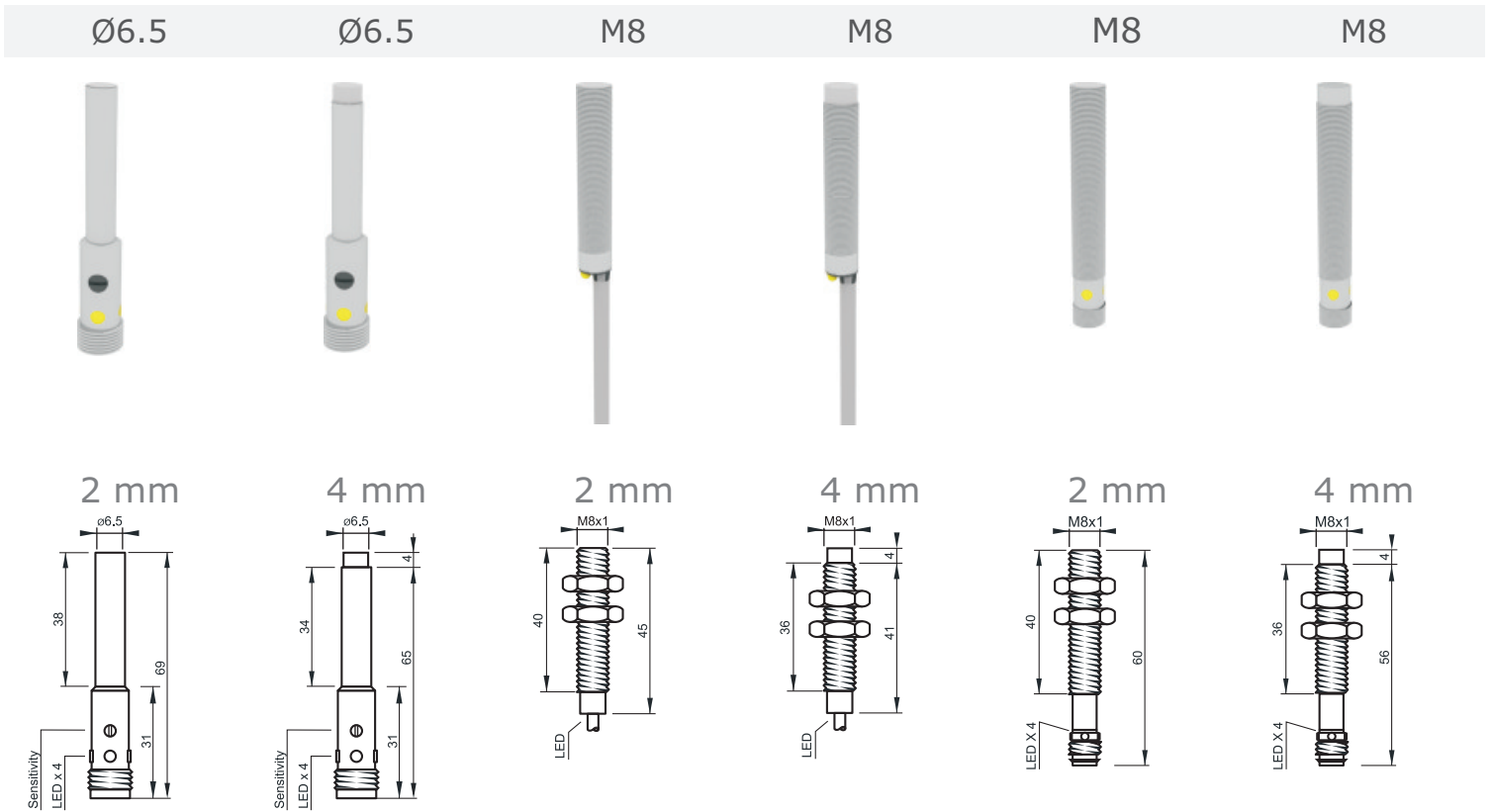
-

-

M8/3...

M8/3...

Capacitive Proximity Switches



Ø 6.5	Ø 6.5	M8x1	M8x1	M8x1	M8x1
2 mm - shielded	4 mm - unshielded	2 mm - shielded	4 mm - unshielded	2 mm - shielded	4 mm - unshielded
10...30 VDC, 3-wire	10...30 VDC, 3-wire	10...30 VDC, 3-wire	10...30 VDC, 3-wire	10...30 VDC, 3-wire	10...30 VDC, 3-wire
built-in	built-in	built-in	built-in	built-in	built-in
< 9 mA	< 9 mA	< 9 mA	< 9 mA	< 9 mA	< 9 mA
200 mA	200 mA	200 mA	200 mA	200 mA	200 mA
built-in - self resetting	built-in - self resetting	built-in - self resetting	built-in - self resetting	built-in - self resetting	built-in - self resetting
< 1.5 V @ 200 mA	< 1.5 V @ 200 mA	< 1.5 V @ 200 mA	< 1.5 V @ 200 mA	< 1.5 V @ 200 mA	< 1.5 V @ 200 mA
Adjustable, Multi-Turn	Adjustable, Multi-Turn	-	-	-	-
100 Hz	100 Hz	100 Hz	100 Hz	100 Hz	100 Hz
< 4 %	< 4 %	< 4 %	< 4 %	< 4 %	< 4 %
3...15 %	3...15 %	3...15 %	3...15 %	3...15 %	3...15 %
-25...+70 °C	-25...+70 °C	-25...+70 °C	-25...+70 °C	-25...+70 °C	-25...+70 °C
< 10 % (Sn)	< 10 % (Sn)	< 10 % (Sn)	< 10 % (Sn)	< 10 % (Sn)	< 10 % (Sn)
IP 67	IP 67	IP 67	IP 67	IP 67	IP 67
Plated Brass	Plated Brass	Plated Brass	Plated Brass	Plated Brass	Plated Brass
Connector M12, 4-pole	Connector M12, 4-pole	High-Flex PVC, 2m	High-Flex PVC, 2m	Connector M8, 3-pole	Connector M8, 3-pole
Integrated	Integrated	Integrated	Integrated	Integrated	Integrated
CSD6-S2PO70/M12	CSD6-N4PO70/M12	CS8-S2PO45/A2P	CS8-N4PO45/A2P	CS8-S2PO60/M8	CS8-N4PO60/M8
CSD6-S2PC70/M12	CSD6-N4PC70/M12	CS8-S2PC45/A2P	CS8-N4PC45/A2P	CS8-S2PC60/M8	CS8-N4PC60/M8
CSD6-S2NO70/M12	CSD6-N4NO70/M12	CS8-S2NO45/A2P	CS8-N4NO45/A2P	CS8-S2NO60/M8	CS8-N4NO60/M8
CSD6-S2NC70/M12	CSD6-N4NC70/M12	CS8-S2NC45/A2P	CS8-N4NC45/A2P	CS8-S2NC60/M8	CS8-N4NC60/M8

M12/3...

M12/3...

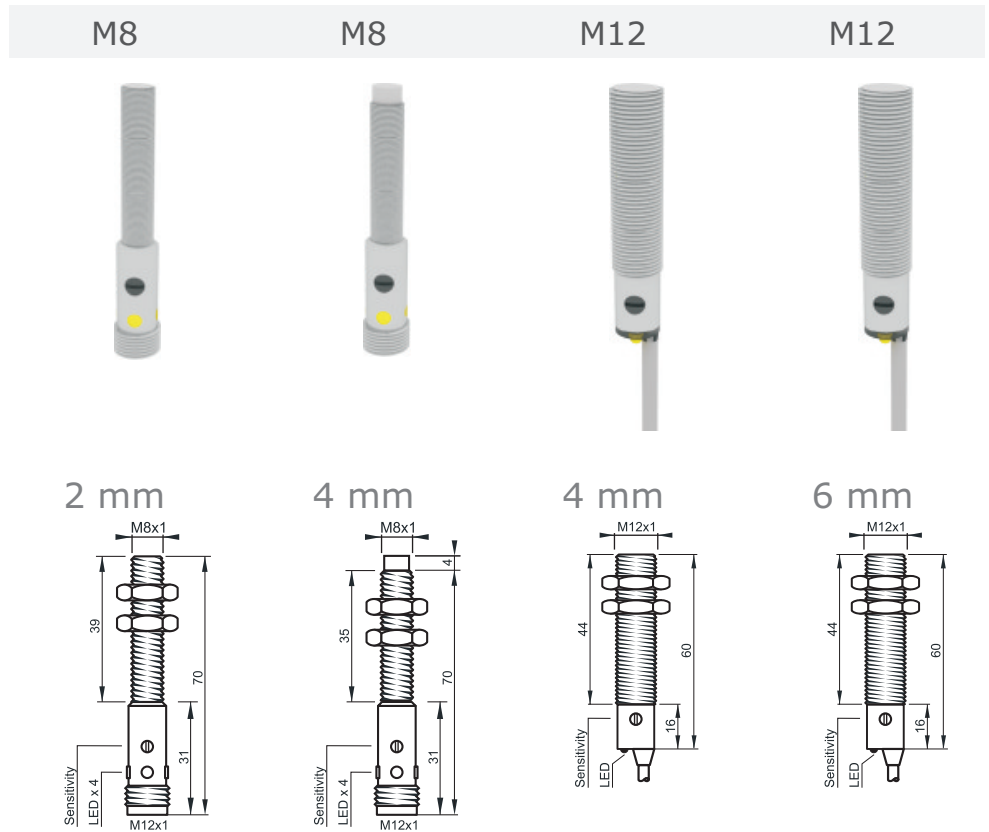
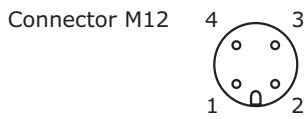
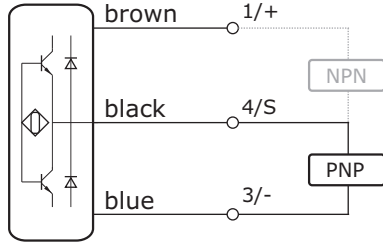
-

-

M8/3...

M8/3...

Output Schematics



SPECIFICATIONS

	M8x1	M8x1	M12x1	M12x1
Sensing Distance (Sn)	2 mm - shielded	4 mm - unshielded	4 mm - shielded	6 mm - shielded
Operating Voltage	10...30 VDC, 3-wire	10...30 VDC, 3-wire	10...30 VDC, 3-wire	10...30 VDC, 3-wire
Reverse Polarity Protection	built-in	built-in	built-in	built-in
Current Consumption	< 9 mA	< 9 mA	< 9 mA	< 9 mA
Current Load Capability	200 mA	200 mA	200 mA	200 mA
Short Circuit Protection	built-in - self resetting	built-in - self resetting	built-in - self resetting	built-in - self resetting
Voltage Drop	< 1.5 V @ 200 mA	< 1.5 V @ 200 mA	< 1.5 V @ 200 mA	< 1.5 V @ 200 mA
Adjustment	Adjustable, Multi-Turn	Adjustable, Multi-Turn	Adjustable, Multi-Turn	Adjustable, Multi-Turn
Switching Frequency	100 Hz	100 Hz	100 Hz	100 Hz
Repeatability	< 4 %	< 4 %	< 4 %	< 4 %
Hysteresis	3...15 %	3...15 %	3...15 %	3...15 %
Operating Temperature	-25...+70 °C	-25...+70 °C	-25...+70 °C	-25...+70 °C
Temperature Drift	< 10 % (Sn)	< 10 % (Sn)	< 10 % (Sn)	< 10 % (Sn)
Protection Class	IP 67	IP 67	IP 67	IP 67
Housing Material	Plated Brass	Plated Brass	Plated Brass	Plated Brass
Connection	Connector M12, 4-pole	Connector M12, 4-pole	High-Flex PVC, 2m	High-Flex PVC, 2m
Output Indicator	Integrated	Integrated	Integrated	Integrated

Article Code

PNP, NO	CS8-S2PO70/M12	CS8-N4PO70/M12	CS12-S4PO60/A2P	CS12-S6PO60/A2P
PNP, NC	CS8-S2PC70/M12	CS8-N4PC70/M12	CS12-S4PC60/A2P	CS12-S6PC60/A2P
NPN, NO	CS8-S2NO70/M12	CS8-N4NO70/M12	CS12-S4NO60/A2P	CS12-S6NO60/A2P
NPN, NC	CS8-S2NC70/M12	CS8-N4NC70/M12	CS12-S4NC60/A2P	CS12-S6NC60/A2P

Recommended Connecting Cable

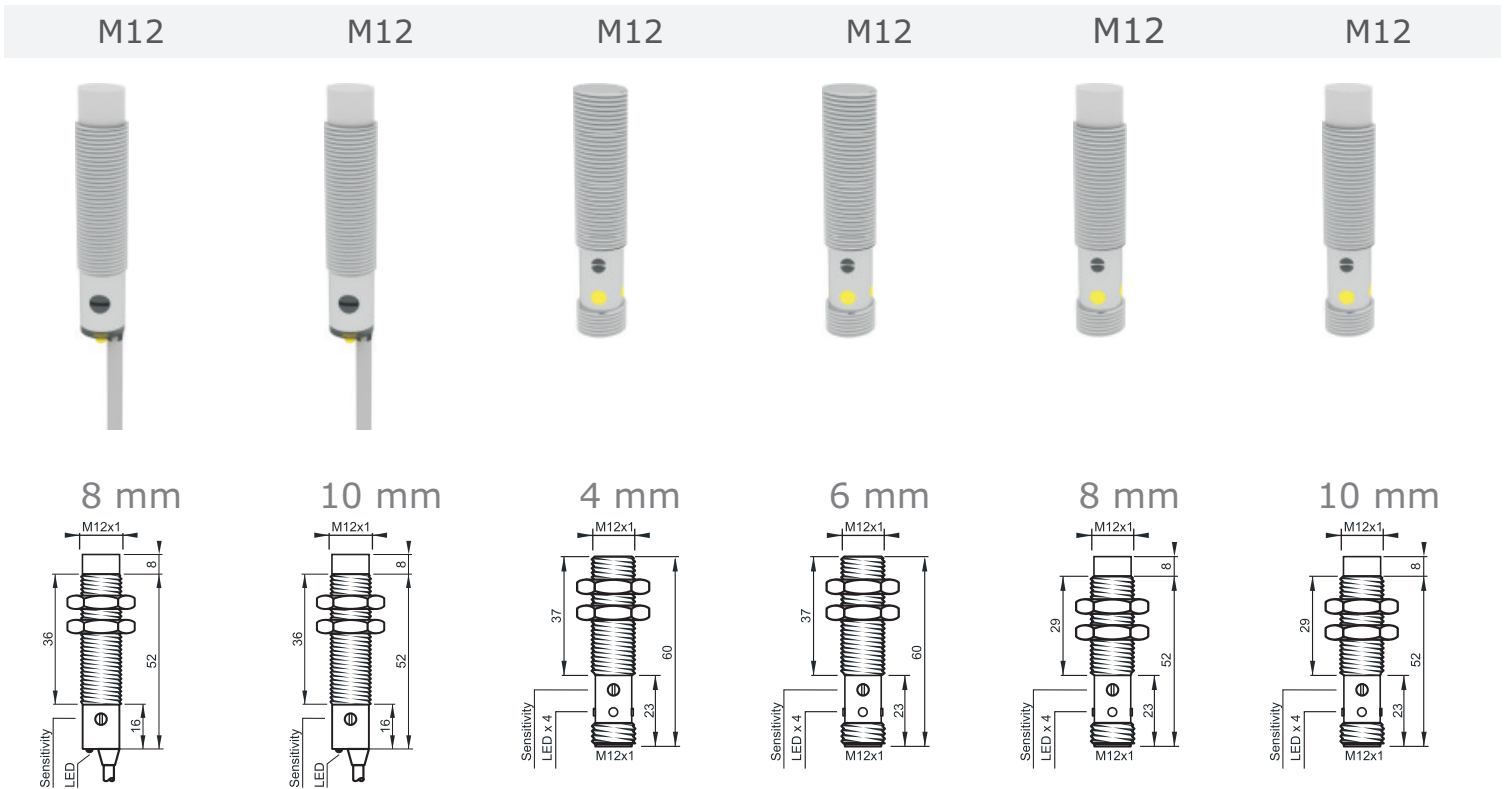
M12/3...

M12/3...

-

-

Capacitive Proximity Switches



M12x1	M12x1	M12x1	M12x1	M12x1	M12x1
8 mm - unshielded	10 mm - unshielded	4 mm - shielded	6 mm - shielded	8 mm - unshielded	10 mm - unshielded
10...30 VDC, 3-wire	10...30 VDC, 3-wire	10...30 VDC, 3-wire	10...30 VDC, 3-wire	10...30 VDC, 3-wire	10...30 VDC, 3-wire
built-in	built-in	built-in	built-in	built-in	built-in
< 9 mA	< 9 mA	< 9 mA	< 9 mA	< 9 mA	< 9 mA
200 mA	200 mA	200 mA	200 mA	200 mA	200 mA
built-in - self resetting	built-in - self resetting	built-in - self resetting	built-in - self resetting	built-in - self resetting	built-in - self resetting
< 1.5 V @ 200 mA	< 1.5 V @ 200 mA	< 1.5 V @ 200 mA	< 1.5 V @ 200 mA	< 1.5 V @ 200 mA	< 1.5 V @ 200 mA
Adjustable, Multi-Turn	Adjustable, Multi-Turn	Adjustable, Multi-Turn	Adjustable, Multi-Turn	Adjustable, Multi-Turn	Adjustable, Multi-Turn
100 Hz	100 Hz	100 Hz	100 Hz	100 Hz	100 Hz
< 4 %	< 4 %	< 4 %	< 4 %	< 4 %	< 4 %
3...15 %	3...15 %	3...15 %	3...15 %	3...15 %	3...15 %
-25...+70 °C	-25...+70 °C	-25...+70 °C	-25...+70 °C	-25...+70 °C	-25...+70 °C
< 10 % (Sn)	< 10 % (Sn)	< 10 % (Sn)	< 10 % (Sn)	< 10 % (Sn)	< 10 % (Sn)
IP 67	IP 67	IP 67	IP 67	IP 67	IP 67
Plated Brass	Plated Brass	Plated Brass	Plated Brass	Plated Brass	Plated Brass
High-Flex PVC, 2m	High-Flex PVC, 2m	Connector M12, 4-pole	Connector M12, 4-pole	Connector M12, 4-pole	Connector M12, 4-pole
Integrated	Integrated	Integrated	Integrated	Integrated	Integrated

CS12-N8PO60/A2P	CS12-N10PO60/A2P	CS12-S4PO60/M12	CS12-S6PO60/M12	CS12-N8PO60/M12	CS12-N10PO60/M12
CS12-N8PC60/A2P	CS12-N10PC60/A2P	CS12-S4PC60/M12	CS12-S6PC60/M12	CS12-N8PC60/M12	CS12-N10PC60/M12
CS12-N8NO60/A2P	CS12-N10NO60/A2P	CS12-S4NO60/M12	CS12-S6NO60/M12	CS12-N8NO60/M12	CS12-N10NO60/M12
CS12-N8NC60/A2P	CS12-N10NC60/A2P	CS12-S4NC60/M12	CS12-S6NC60/M12	CS12-N8NC60/M12	CS12-N10NC60/M12

- M12/3... M12/3... M12/3... M12/3...